

VALEZUS T2100

User's Guide

JOINT UNIT

Model: JOINT UNIT G10

Model: Double Tray Feeder

Model: Double Tray Stacker L/R

Warning

This is a Class A product. In a domestic environment this product may cause radio interference in which case the user may be required to take adequate measures.

Printers connected to the JOINT UNIT are Class B products. However, they are considered Class A products when used as the system (a series of equipment configurations including the printers connected to the JOINT UNIT).

The user is cautioned that unauthorised changes or modifications not approved could void the user's authority to operate the equipment.

NOTE: This equipment has been tested and found to comply with the limits for a Class A digital device, pursuant to part 15 of the FCC Rules. These limits are designed to provide reasonable protection against harmful interference when the equipment is operated in a commercial environment. This equipment generates, uses, and can radiate radio frequency energy and, if not installed and used in accordance with the instruction manual, may cause harmful interference to radio communications. Operation of this equipment in a residential area is likely to cause harmful interference in which case the user will be required to correct the interference at his own expense.

CAN ICES-3(A)/NMB-3(A)

Perchlorate Material-special handling may apply,

See www.dtsc.ca.gov/hazardouswaste/perchlorate

This product may contain substances which are restricted when disposed.

Therefore, be sure to consult your contracted service dealer.

이 기기는 업무용 환경에서 사용할 목적으로 적합성평가를 받은 기기로서 가정용 환경에서 사용하는 경우 전파간섭의 우려가 있습니다.



CAUTION

To ensure safety precautions, be sure to read this guide before using the product. After reading this guide, keep it in handy for future reference.



VORSICHT

Um Vorsichtsmaßnahmen zu treffen, lesen Sie sich vor Gebrauch des Produkts das Handbuch durch. Halten Sie das Handbuch nach dem Durchlesen stets griffbereit.

About This Guide

Prefaces

Thank you for purchasing the VALEZUS T2100.

The system, which consists of two print units, a coupling unit, and dedicated paper feed/stack units, is referred to as VALEZUS T2100. The coupling unit is connected between two print units to efficiently perform duplex printing. In this guide, the VALEZUS T2100 is described as "the system" and the coupling unit is described as "JOINT UNIT".

The dedicated paper feed/stack units (Double Tray Feeder and Double Tray Stacker), which support high-capacity paper feed and stack, allows you to run the system for long periods of time.

Please read this guide before using or when you have concerns while using, and make use of the system and guide long for ever.

The guide is supplied with the system.

● User's Guide for the VALEZUS T2100 (this guide)

This guide describes handling precautions, specifications, features and functions of the system.

This guide also describes the troubleshooting method.

This guide describes required information about the system and the JOINT UNIT.

For basic usage of the printer, refer to the guides of the RISO printer below.



• Some of the features of the RISO printer may not be available in the system.

● Quick Guide

This guide describes basic usage of the printer and replacement of consumables.

● User's Guide

This guide describes handling precautions and specifications, as well as the operations and settings of each function.

Read this guide for a more detailed understanding of the print unit.

● Administrator's Guide

This guide describes settings of the printer and dedicated equipment to be configured by the administrator.

● Troubleshooting Guide

This guide describes the actions to take when a paper jam or other problem occurs.

About This Guide

(1) This guide may not be reproduced in whole or in part without the permission of RISO KAGAKU CORPORATION.


(2) The contents of this manual may be changed without prior notice due to product improvements.

(3) RISO KAGAKU CORPORATION shall not be liable for any consequence of using this guide or the machine.

Trademark Credits

Windows is either a registered trademark or trademark of Microsoft Corporation in the United States and/or other countries.

PostScript is either registered trademarks or trademarks of Adobe Systems Incorporated in the United States and/or other countries.

 RISO, VALEZUS, and FORCEJET are trademarks or registered trademarks of RISO KAGAKU CORPORATION in the United States and other countries.

Other corporate names and/or trademarks are either registered trademarks or trademarks of each company, respectively.

Symbols, Notations, and Screenshots Used in This Guide

■ Symbols Used in This Guide



Indicates cautions that should be noted for safe use of this system.



Indicates important items that should be noted or are prohibited.

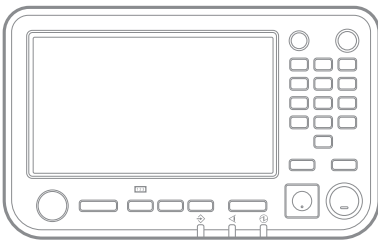


Indicates useful information or additional information.

■ Names of Keys and Buttons

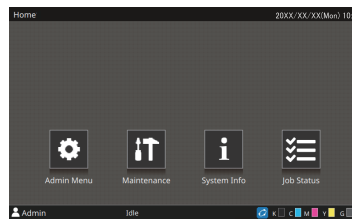
The names of physical keys on the operation panel, buttons on the touch panel screen, and buttons/items displayed on the computer operation screen are indicated with square brackets [].

● Operation Panel



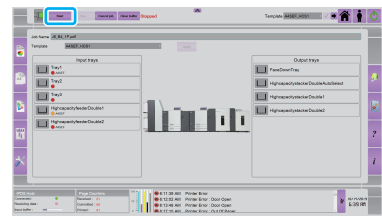
Example: Press the [Stop] key.

● Touch Panel Screen



Example: Touch [Admin Menu].

● Print Controller Operation Screen



Example: Click [Start].

■ Illustrations Used in This Guide

The screenshots and illustrations contained in this guide may vary depending on the usage environment, including the connected dedicated equipment.

Functions Available by Connecting the Dedicated Equipment

The various units can be used to extend functions of the system.

Function to be extended	Required unit
High-capacity paper feed	Double Tray Feeder
High-capacity paper stack	Double Tray Stacker

Contents

About This Guide	1
Symbols, Notations, and Screenshots Used in This Guide	2
Functions Available by Connecting the Dedicated Equipment	2
Safety Precautions	6
Warning Symbols	6
Power Plug	6
Installation Location	6
Power Connection	7
Ground Connection	7
Handling	8
Before Use	9
Installation Location	9
Power Connection	9
Required Spacing	10
Handling	11
Usable Paper	11
Printable Area	11
Part Names and Functions	12
The Whole System	12
JOINT UNIT	12
Operation Panel	13
Home Screen	14
What You Can Do with the System	15
System Configuration	16
Paper Feed Path	18
Preparations	19
Power Supply	19
Admin Menu Settings	19
Printing	20
Sending Print Data	20
Dedicated Equipment	21
Double Tray Feeder	21
Double Tray Stacker	28
Troubleshooting	34
Paper Jam	36
Precautions when Removing Jammed Paper	37
Error Message when Turning On the Power	37
Specifications	38
Consumables	40
Ink Cartridges	40
Vorsichtsmaßnahmen	42



Warnsymbole	42
Netzstecker	43
Aufstellungsort	43
Netzanschluss	43
Masseanschluss	43
Behandlung	44
Vor Inbetriebnahme	45
Aufstellungsort	45
Netzanschluss	45
Abmessungen	46
Behandlung	47
Verwendbares Papier	47
Bedruckbarer Bereich	47
Technische Daten	48
Verbrauchsmaterial	50
Tintenkartuschen	50

Safety Precautions





This section describes the items that should be followed for safe use of this system. Be sure to read this section before using the system.

Warning Symbols

To use the system properly and to prevent human injury and damage to properties, the following warning symbols are used. Read the meaning of the symbols to understand and then read this guide.

 WARNING	Indicates that incorrect handling by ignoring this symbol may cause death or serious human injury.
 CAUTION	Indicates that incorrect handling by ignoring this symbol may cause human injury or damage to properties.

Examples of symbols

	The  symbol indicates a prohibited action. A specific prohibited action is drawn inside or next to the symbol. (The figure on the left indicates that disassembly is prohibited.)
	The  symbol indicates a forced action or an instruction. A specific instruction is drawn inside the symbol. (The left figure indicates an instruction to remove the power plug from the electrical outlet.)

Power Plug

- In addition to the JOINT UNIT, printers and dedicated equipment connected to the printers also have power plugs.



Installation Location

CAUTION

- Place the system on a flat or stable surface. Otherwise, the system may tilt or collapse and cause human injury.
- Do not place the system in a dusty or humid location. Otherwise, a fire or an electric shock might occur.

Power Connection

WARNING


- Confirm the specification of the system's power source and use the power source with sufficient margin. Otherwise, a fire or an electric shock might occur.
- The power consumption of the system may get high. Make sure to take power supply from multiple places instead of from one place. If an extension cord is absolutely required, do not use longer than 5m (15ft). Otherwise, a fire or an electric shock might occur. 
- Do not damage or rebuild the power cord. Placing a heavy object on the cord or pulling or forcibly bending the cord may damage the cord, resulting in a fire or an electric shock. 
- Do not plug or unplug the power cord if your hands are wet. Otherwise, an electric shock might occur.

CAUTION

- Connect the plug securely to the optional connection outlet on the printer main unit to avoid a loose connection.
- Do not pull the power cord when unplugging it. Otherwise, it could become damaged and a fire or an electric shock might occur. Be sure to hold on to the plug when unplugging the power cord.
- If the system will not be used for a long time, such as during a holiday, unplug the power cord from the electrical outlet for safety.
- Remove the power plug from the electrical socket at least once a year and clean the prongs of the plug and their surroundings. Dust collected on these areas can result in fire.




Ground Connection

WARNING

- Be sure to insert the power plug with a ground conductor into the wall outlet with a ground receptacle.  Do not use the system if it is not grounded. It may result in fire or electric shock.

Handling

WARNING

- Do not place water containers or metallic objects on the system. If water drips inside the system or a metallic object drops inside it, a fire or an electric shock might occur.
- Do not remove the covers. Otherwise, you might be electrically shocked by the high-voltage part inside. 
- Do not disassemble or rebuild the system by yourself. Otherwise, a fire or an electric shock might occur.
- Do not insert or drop any metallic material or flammable substances into the system through any opening. Otherwise, a fire or an electric shock might occur.
- If something falls inside the system, immediately hold down the [Power] key on the operation panel to turn off the operating power, and then turn off the main power switches of both printers. Next, unplug all of the power cords and contact your dealer or authorized service representative. Continued use might result in a fire or an electric shock. 
- In the unlikely event that the system continues to be used while emitting excessive heat, smoke, or a foul odor, a fire or an electric shock might occur. Immediately hold down the [Power] key on the operation panel to turn off the operating power, and then turn off the main power switches of both printers. Next, be sure to unplug all of the power cords and contact your dealer or authorized service representative. 


CAUTION

- Be careful of protruding parts and metal terminals when inserting the hand inside the JOINT UNIT and dedicated equipment such as removing jammed paper. Otherwise, an injury might occur.
- The inside of the system may have areas with ink. Be careful not to let the ink come in contact with your hands or clothing. Should ink accidentally make contact with your hands, wash it off with detergent as soon as possible.
- When moving the system, contact your dealer or authorized service representative. If you try to forcibly move the system, the machines may overturn, resulting in injury.

- When using the Double Tray Feeder

  **Caution! A Finger is caught.**

Do not put your fingers in the opening in the main body of the Double Tray Feeder. Doing so may result in your fingers being caught while the Double Tray Feeder moves.

 **Caution! Hot surface**

Since the parts near the high temperature caution label may be heated and cause burns, do not touch the parts directly with your fingers.

Before Use

This section describes the precautions that must be observed before using the system.

Installation Location

Observe the following precautions.

- **Your dealer will help you determine a proper installation location for the system upon delivery.**
- **When moving the system, contact your service representative.**
- **Avoid installing the system in the following locations. Otherwise, incorrect operation, malfunction, or accident might occur.**
 - Places exposed to direct sunlight or excessive illumination such as near a window (If such is unavoidable, install curtains to cover the window.)
 - Places subject to sudden temperature variations
 - Places excessively hot and humid or cold and dry
 - Places close to fire or heat
 - Places directly subject to cold air from air conditioners or hot air from heaters, as well as radiant heat
 - Places with poor air permeability or ventilation
 - Dusty places
 - Places subject to excessive vibration
- **Install the system in a place whose levelness is within the following specified range.**
Installation surface level: 2 degrees or less
- **Operate the system under the following environment conditions.**
Temperature range: 15 °C - 30 °C (59 °F - 86 °F)
Humidity range: 40% - 70% RH (non-condensing)

Power Connection

Observe the following precautions.

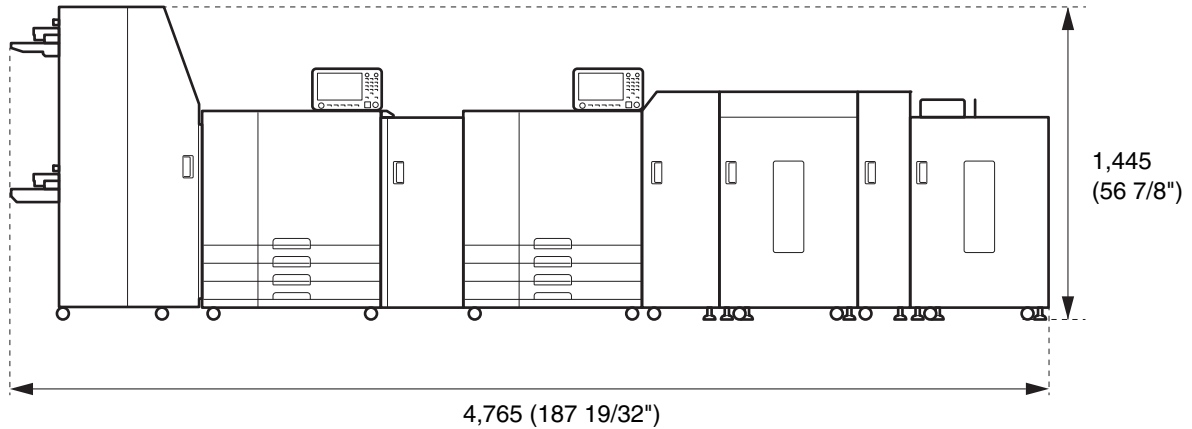
- **Connect the plug securely to the optional connection outlet on the printer main unit to avoid a loose connection.**
- **Install the system near an electrical outlet.**
- **The power on / off of the JOINT UNIT and dedicated equipment interlocks with the power supply of the printer.**

Required Spacing

Provide sufficient space for the system operations, replacing the consumables, and maintenance.

■ Double Tray Feeder, Print Unit, JOINT UNIT, Print Unit, and Double Tray Stacker

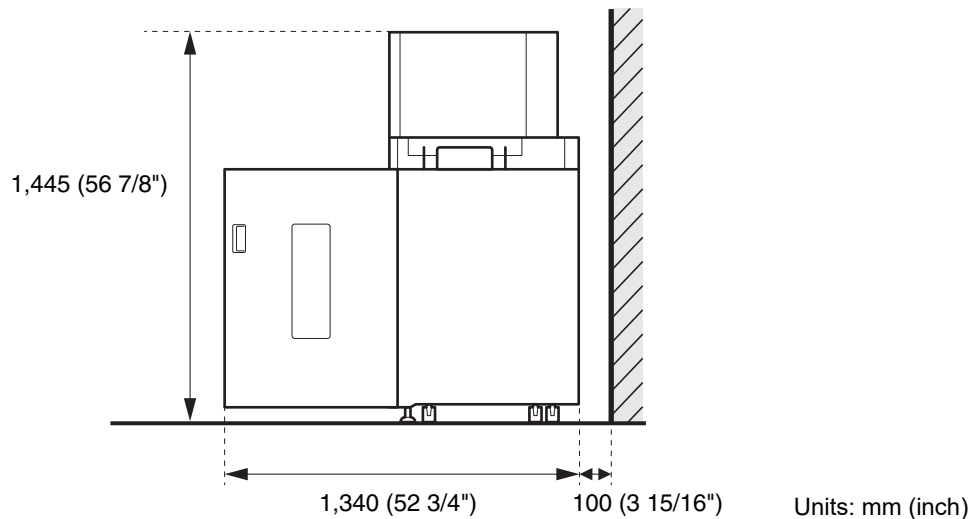
- As seen from the front



The width is 4,955 mm (195 3/32") when the cover of each part and operation parts are open.

Units: mm (inch)

- As seen from the side



Units: mm (inch)

Handling

- Do not turn the main power switch off or unplug the JOINT UNIT during operation.
- Do not open any of the covers of operating printers and units.
- Do not move the system.
- The system contains precision components and moving parts. Therefore, do not perform operations not described in the guides.
- Do not place heavy objects on the system or subject the system to strong shocks.
- Open and close the covers gently.
- Please refer to the guides of the printer for storage and handling of consumables.

Usable Paper

The following paper type and size can be loaded. The usable paper size is the same as feeding paper size of the combined paper stacker.

Size	<ul style="list-style-type: none"> • VALEZUS T2100: 148 mm × 210 mm - 330.2 mm × 460 mm (5 13/16" × 8 1/4" - 13" × 18 1/8") • Feed Tray (Printer 1): 182 mm × 210 mm - 297 mm × 432 mm (7 3/16" × 8 1/4" - 11 11/16" × 17") • Double Tray Stacker: When printouts are not collated: 148 mm × 210 mm - 340 mm × 460 mm (5 13/16" × 8 1/4" - 13 3/8" × 18 1/8")¹ When offset output is applied: 148 mm × 210 mm - 340 mm × 432 mm (5 13/16" × 8 1/4" - 13 3/8" × 17")² • Double Tray Feeder: 148 mm × 210 mm - 330.2 mm × 465 mm (5 13/16" × 8 1/4" - 13" × 18 5/16")
Weight	46 g/m ² - 210 g/m ² (12-lb bond - 56-lb bond) Ream weight: 40 kg - 180 kg (88 lb - 397 lb) (duodecimo)
Paper Type	Plain paper, recycled paper
Maximum Load	<ul style="list-style-type: none"> • Feed Tray (Printer 1): Height up to 56 mm (2 3/16") (3 trays) • Double Tray Feeder: Height up to 440 mm (17 11/32") (2 trays)

1 Height up to 440 mm (17 11/32") (for A5, or irregular sized paper: height up to 110 mm (4 5/16"))

2 Height up to 405 mm (16") (not applicable to A5, or irregular sized paper)



- Depending on the type of paper, operating environment, and storage conditions, even paper meeting these size and weight specifications may not be able to pass through the machine in some cases.
For more information, contact your dealer or authorized service representative.

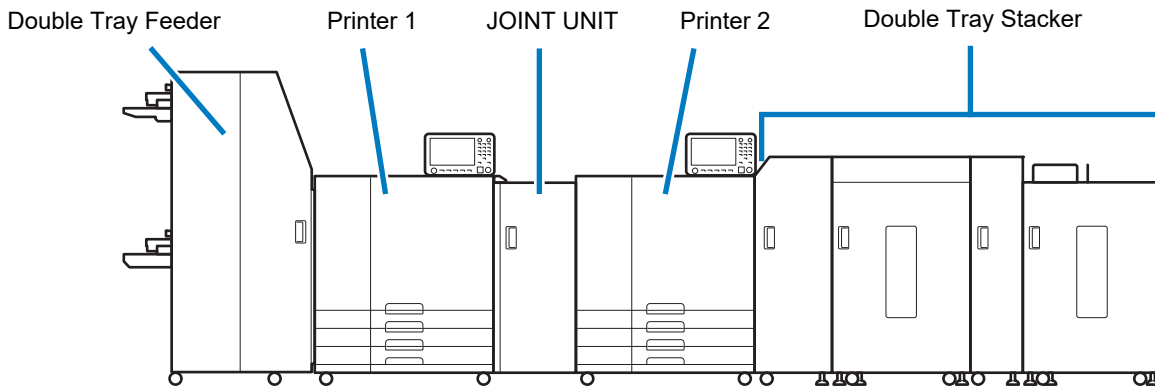
Printable Area

Printing without margins cannot be performed. Margins are always added around the edges of the paper.

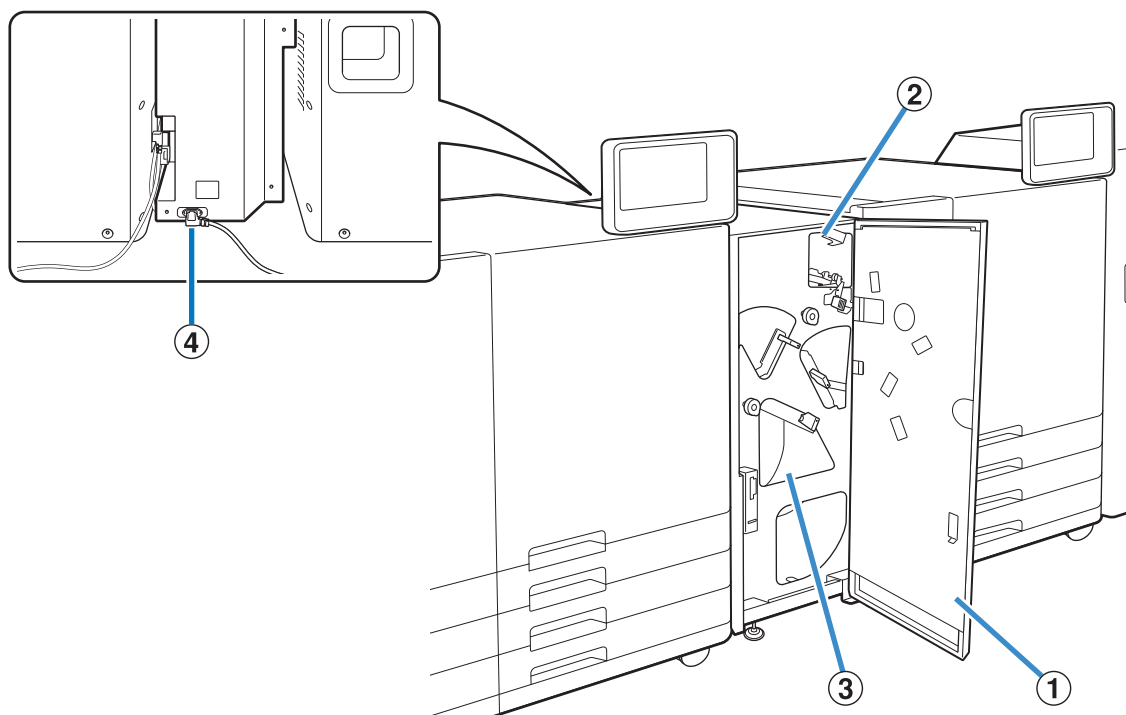
Maximum Print Area	314 mm × 458 mm (12 3/8" × 18 1/32")
--------------------	--------------------------------------

Part Names and Functions

The Whole System



JOINT UNIT



① Front cover

It opens when the paper is jammed.

② Relay unit

Transport the paper to the printer 2.

③ Reversing Part

④ Power cord

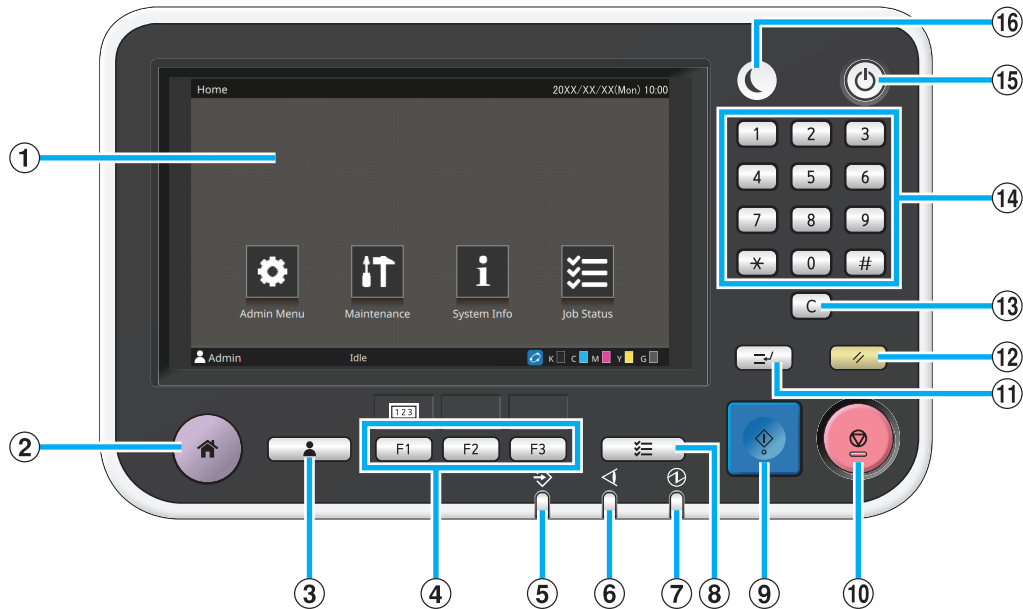
Normally you leave it connected to an electrical outlet.



• For information on the Double Tray Feeder and the Double Tray Stacker, see "Dedicated Equipment" (p. 21).

Operation Panel

Both Printer 1 and Printer 2 have their own operation panel. The printer settings must be configured on the operation panel of their respective printer.



① Touch Panel

Use to perform operations or settings. This panel also displays information such as error messages and confirmation messages.

Depending on the screen or list, flick operations may be available by flicking your finger in a certain direction on the touch panel. (p. 14 "Home Screen")

② Home Key

Press this key to bring up the [Home] screen.

③ Login / Logout Key

Press this key when logging in or out of the administrator menu.

④ Function Keys

You can preset frequently used functions and settings. Use these keys as shortcut keys.



- For specific instructions on how to register functions and settings, contact your administrator.

⑤ Data Lamp

This lamp lights up when there is a job waiting and flashes when this machine is receiving data.

⑥ Error Lamp

This lamp flashes when an error occurs.

⑦ Main Power Lamp

This lamp lights up when the main power is on.

⑧ Job Status Key

Press this key to check jobs that are in progress or finished.

⑨ Start Key

It is not used in the system.

⑩ Stop Key

Press this key to stop the job that is in progress.

⑪ Interrupt Key

It is not used in the system.

⑫ Reset Key

Press this key to return the settings to their default values.



- Only the settings for the selected mode are reset. The settings for other modes remain unchanged by this operation.

⑬ Clear Key

Press this key to clear letters or numbers that have been entered.

⑭ Numeric Keys

Use these keys to enter numbers.

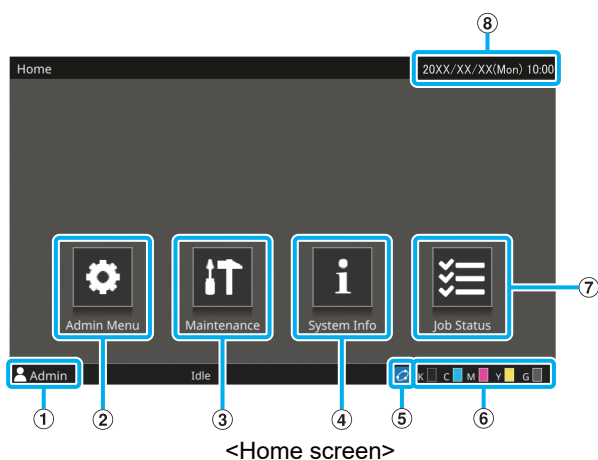
⑮ Power Key

When you press the [Power] key for each operation panel at the same time while the main power is on, the operation power turns on and the [Power] key for each operation panel lights up. Holding the [Power] key of Printer 1 turns off the operation power, and the machine goes into stand-by mode.

⑯ Wake Up Key

It is not used in the system.

Home Screen



The [Home] screen appears when you press the [Home] key in the operation panel.

To access the settings and operations, touch the button that you want to use.

① User Name

The name of the user currently logged in is displayed.

② [Admin Menu] Button

Touch this button to access the administrator settings.

③ [Maintenance] Button

Touch this button to access maintenance features.

④ [System Info] Button

Touch this button to display consumables, machine, and user information.

⑤ FORCEJET™ Link Icon

This icon indicates whether all parts required for printing are working correctly. The display will differ depending on the consumable or configured details.

- You are using RISO ink.

- You are using non-RISO ink.

When lit: Ink information is entered.

When flashing: Ink information is not entered.

For more information on setting ink information, see the "Troubleshooting Guide" of the printer.

⑥ Remaining Amount of Ink

These icons indicate the amount of remaining ink for each color. The indicator starts flashing when the time to replace an ink cartridge comes close. Prepare a new ink cartridge for the color that flashes.



- If you are not using RISO ink, the remaining amount of ink is not displayed.

⑦ [Job Status] Button

Touch this button to check jobs that are in progress or finished.

⑧ Date/time

The current date and time is displayed.



- For more information of operation panel, see the guides of the printer.

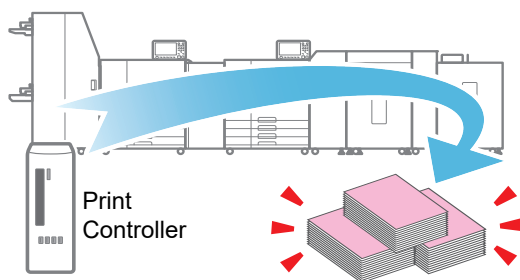
What You Can Do with the System

- High-speed creation of the transaction is possible by adopting the Print Controller that supports transaction printing.
- Print data from PC or server via Print Controller is sent to the Printer 1 and Printer 2 respectively and performs synchronized print operation.
- For print jobs under the same condition, continuous output is possible without performing initial operation of the next job (continuous job operation).¹
- The data can be received and printed on a page basis (page unlimited print job). This allows you to print without worrying about hard disk capacity.

High-Speed Duplex Printing with Two RISO Printers

Duplex Printing

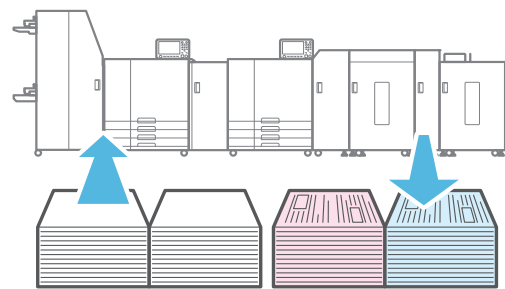
High-speed duplex printing at a rate of 320 ipm is possible by synchronizing the print job between two printers.



High-Volume Printing is Available at Once

High-Volume Printing

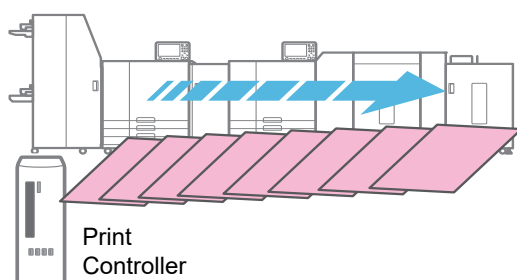
High-volume printing is possible by using two RISO printers connected with the Double Tray Feeder and Double Tray Stacker.



Continuous Jobs Get Faster

Continuous Jobs

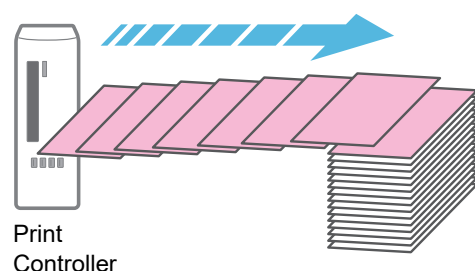
Continuous jobs can be performed as speedy as performing the same job continuously.¹



Page Unlimited Print Job

Unlimited Printing

You can print without worrying about the hard disk capacity since the data can be received and printed on a page basis.



¹ Normally, continuous jobs can be performed when the following conditions are the same in each job.

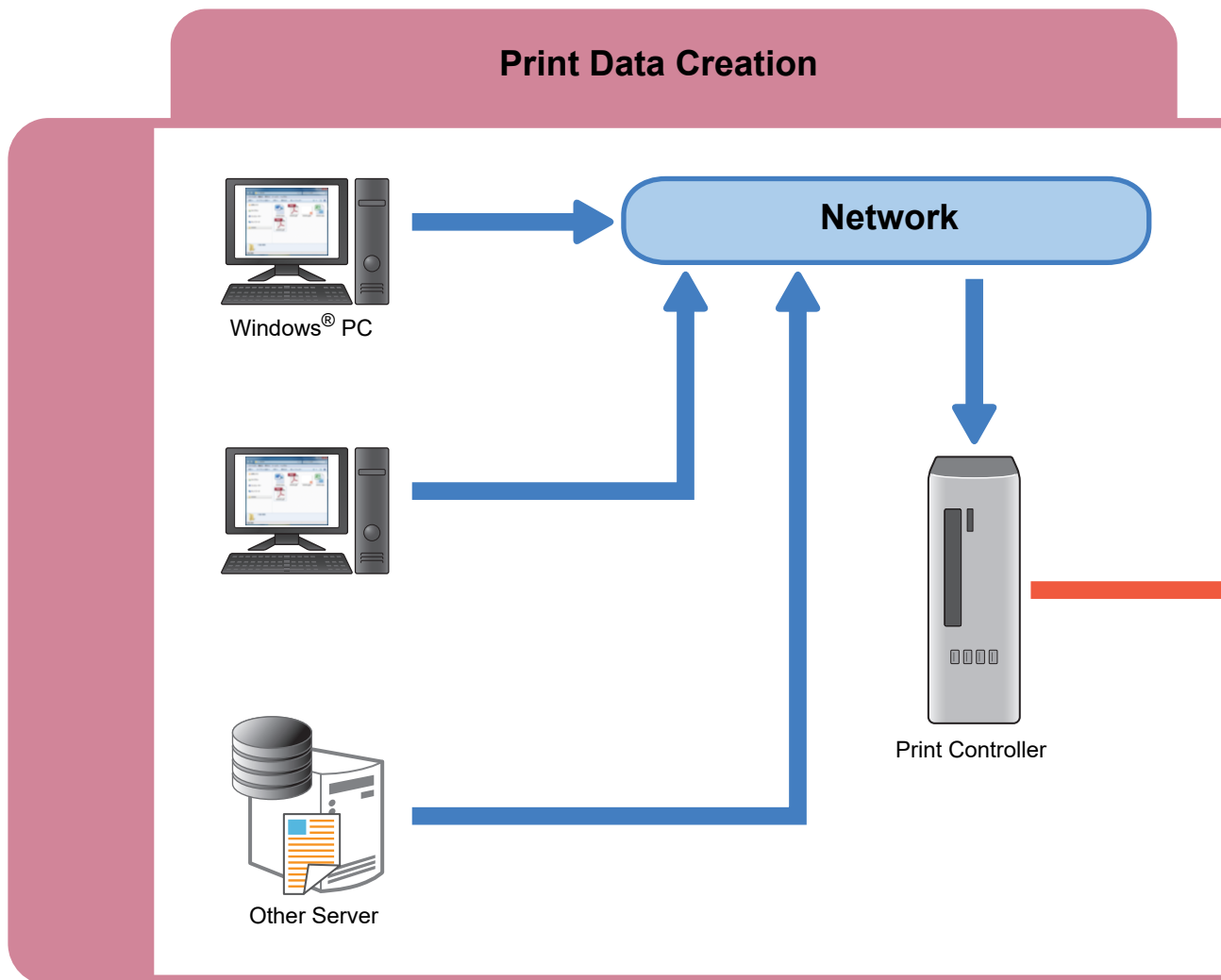
Paper Size / Paper Tray / Paper Type / Print Density

Initial operation is required if the above conditions are not the same in each job.

When the file format of print data is AFP, PDF, or PS (PostScript®), print data can be processed as continuous jobs if compressing multiple data into a ZIP file.

System Configuration

The Print Controller is required for the high-volume duplex printing with the system.
The Print Controller converts print data used in print workflow such as PS (Postscript) to RISORINC/C IV data and controls the print job.



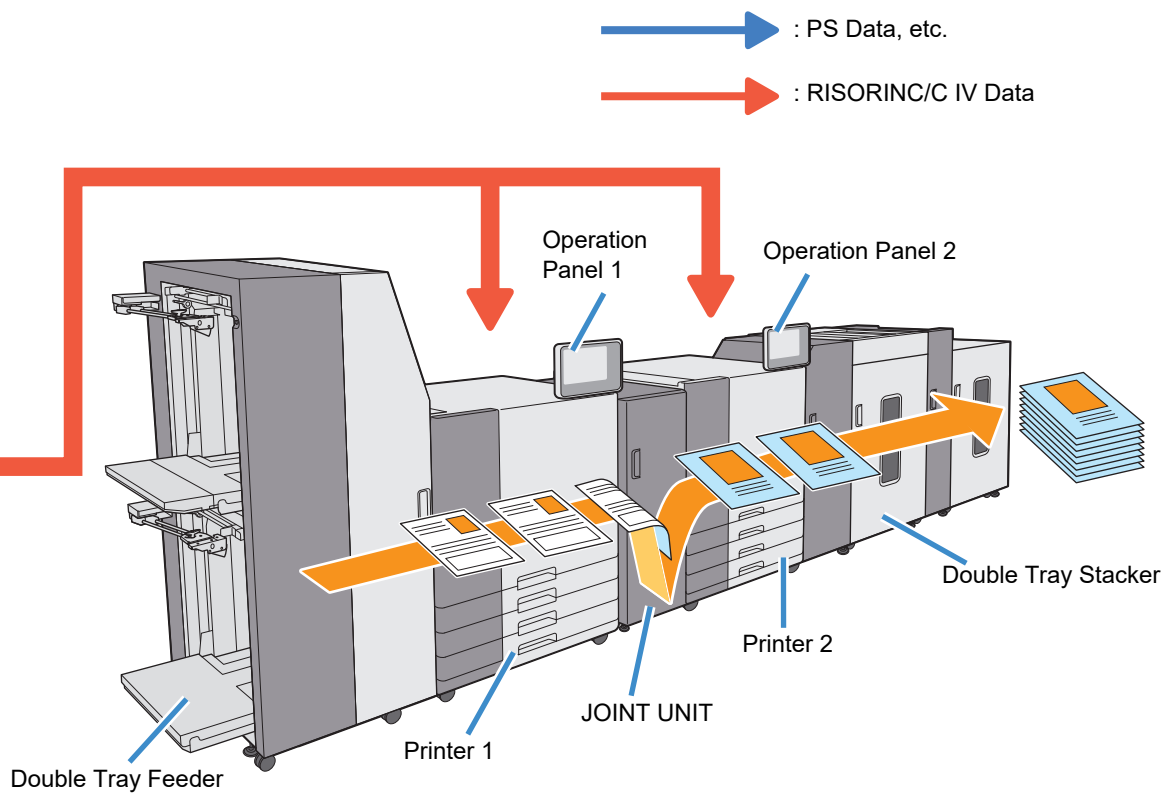
- Print Controller corresponds to AFP / IPDS* print workflow which is often used for transaction printing.
* Supported only on a stream "Pro"



- Be aware that you cannot make a copy with the system since it does not have the scan function.
- The power consumption of the system may get high. Make sure to take power supply from multiple places instead of from one place.

The RISORINC/C IV data sent from the Print Controller to Printer 1 and Printer 2 is synchronized between the two printers. The front side of the paper is printed in Printer 1, the paper is flipped in JOINT UNIT, and the back side of the paper is printed in Printer 2.

Printing Process



- The Operation Panel 1 displays the paper settings and error messages such as when paper is jammed in Double Tray Feeder, Printer 1, and JOINT UNIT. The Operation Panel 2 displays error messages such as when paper is jammed in Printer 2 and Double Tray Stacker.
- You cannot change the paper size during a print job. When using different size of paper, take out the printed papers from Double Tray Stacker and adjust the stacker fence.

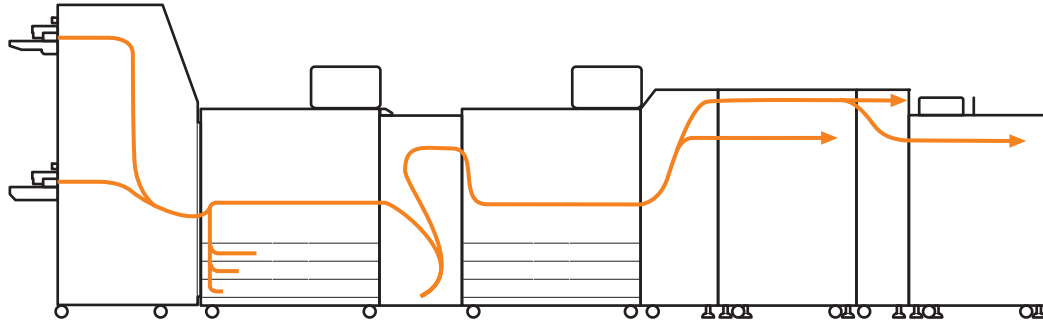


- There are five color ink cartridges installed in each of the two printers. You cannot print if even one color out of the ten cartridges is indicating a message to replace the cartridge. Replace the cartridge of the color shown.

Paper Feed Path

During the printing operation, the paper goes through inside of Printer 1 and Printer 2 connected with JOINT UNIT as shown below. The front side of the paper is printed in Printer 1, the paper is flipped in JOINT UNIT, and the back side of the paper is printed in Printer 2.

→ : Path of the printed paper



- When operating the duplex printing with an odd number of pages, the blank page is automatically inserted by Print Controller for adjustment.
- You can load the paper in Double Tray Feeder and paper tray of Printer 1.

Preparations

Power Supply

The power of the JOINT UNIT and the dedicated equipment operates simultaneously with the printer by inserting the power plugs on the back sides of the JOINT UNIT and the dedicated equipment into electrical sockets.

Turning On the Power

- 1 Make sure that all the power plugs are inserted into the electrical sockets.**
- 2 Turn on the main power switches for Printer 1 and Printer 2.**

The [Main Power] lamp on the Operation Panel lights up.
- 3 Press the [Power] keys for Operation Panel 1 and Operation Panel 2 at the same time.**


The power turns on and [Power] key lights up.

Turning Off the Power

- 1 Press and hold the [Power] key of Operation Panel 1.**

The lights on the [Power] keys of Printer 1 and Printer 2 turn off.
- 2 Turn off the main power switch.**

All the [Main Power] lamps turn off.

-  Do not turn off the main power except in case of lightning or remaining unused for a long period.

Admin Menu Settings

In the [Admin Menu] settings, you can change the environment settings and default values related to the Printer 1 and Printer 2.



- Be sure to register paper sizes on the Operation Panel 1.
- [Power Saving Setting] cannot be used in the system.
- For more information on the administrator login and methods of the [Admin Menu] settings, see the guides of the printer.
- For information on the [Admin Menu] settings related to the Double Tray Feeder and Double Tray Stacker, see "Admin menu" (p. 26, p. 32).

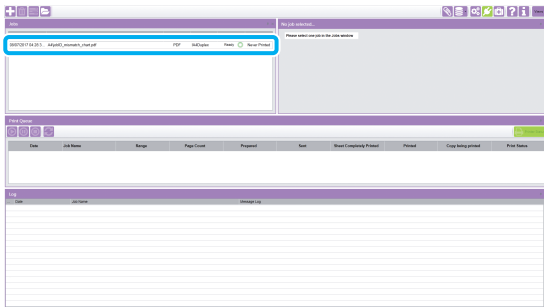
Printing

Sending Print Data

The print data sent to Print Controller is printed with the system using "α stream".

- "α stream" is an output application that processes print data. It is always running when the power of Print Controller is on.
- For the printing method and settings of Print Controller, refer to the guides of the Print Controller.

1 Select data to print via "α stream".



2 Check the print settings via "α stream".

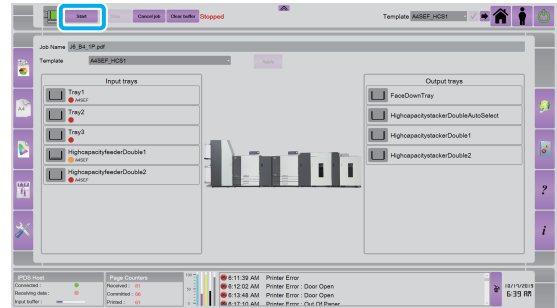
3 Check the paper settings on the Operation Panel 1.

You can check the paper settings on the [System Info] - [Consumables] screen.

Also, make sure correct paper is inserted in the specified feed tray, and the remaining amount of ink is sufficient.

- Be sure to check the remaining amount of ink on the operation panel of their respective printer.
- For more information on the printer settings, see the guides of the printer.

4 On the Print Controller, Click [Start].



Print data will be sent to the Printer 1 and Printer 2, and the printing starts automatically.

- When printing stops by an error, click [Start] again on the Print Controller after resolving the problem following the instructions in the displayed message.

Changing the Settings

1 Select data to print via "α stream".

2 Change the print settings via "α stream".

3 Change the paper settings on the Operation Panel 1.

You can change the paper settings from [Paper Tray Setting] on the [System Info] - [Consumables] screen. Also, make sure correct paper is inserted in the specified feed tray.

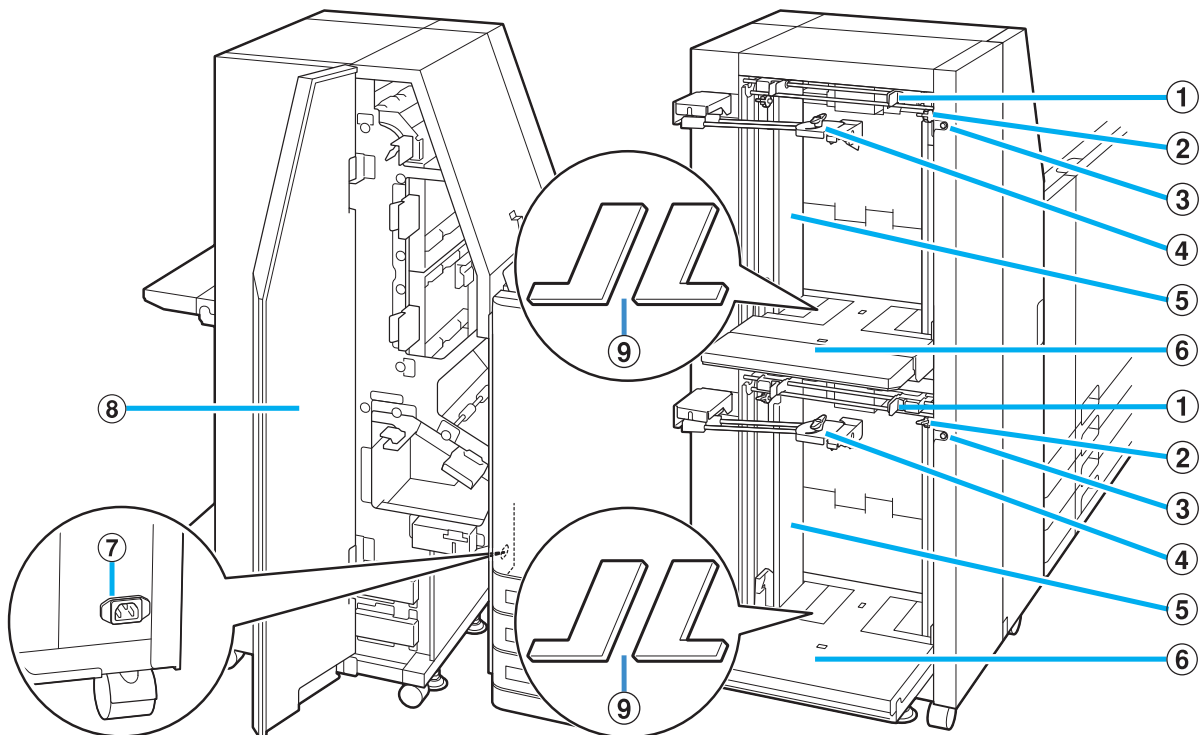
- For more information on the printer settings, see the guides of the printer.

Dedicated Equipment

Double Tray Feeder

Connecting the Double Tray Feeder allows you to load up to 8,000 sheets* of paper (4,000 sheets* for the upper and lower feed trays, respectively). Equipped with the air feeding system that suppresses the occurrence of paper misfeed and multiple-paper feed, the Double Tray Feeder can feed sheets of paper without delay.

* When using plain paper, recycled paper (85 g/m² (23-lb bond))



① Paper Feed Guide Levers

Pinch these levers to slide the paper feed guide (side). Release the levers to fix the paper feed guide in position. Levers are located on both sides of the standard tray paper guide (side), in two places.

② Side Air Adjustment Levers

Use these levers to adjust the air ejection amount for either "NORMAL" or "CARD" to suit the paper type loaded in the Double Tray Feeder. Levers are located on both sides of the standard tray paper guide (side), in two places.

③ Standard Tray Descent Button

Use this button to move the Double Tray Feeder up or down when replacing or adding the paper to it.

④ Standard Tray Paper Guide (End)

This guide prevents paper in the Double Tray Feeder from becoming misaligned. Turn the knob at the tip counter-clockwise to unlock the guide. Move the guide to align with the paper stack and turn the knob clockwise to fix the paper guide in position.

⑤ Standard Tray Paper Guide (Side)

This guide prevents paper in the Double Tray Feeder from becoming misaligned.

⑥ Standard Tray

Load paper on this tray.
Upper tray: Feed 1, Lower tray: Feed 2

⑦ Double Tray Feeder Socket

Connect the Double Tray Feeder power cord. The socket is located on the backward side of the Double Tray Feeder.

⑧ Front cover

If a paper jam occurs, open this cover and remove the jammed sheet.

⑨ Standard Tray Padding Covers

Remove the covers when you load sheets smaller than A4 (Letter).

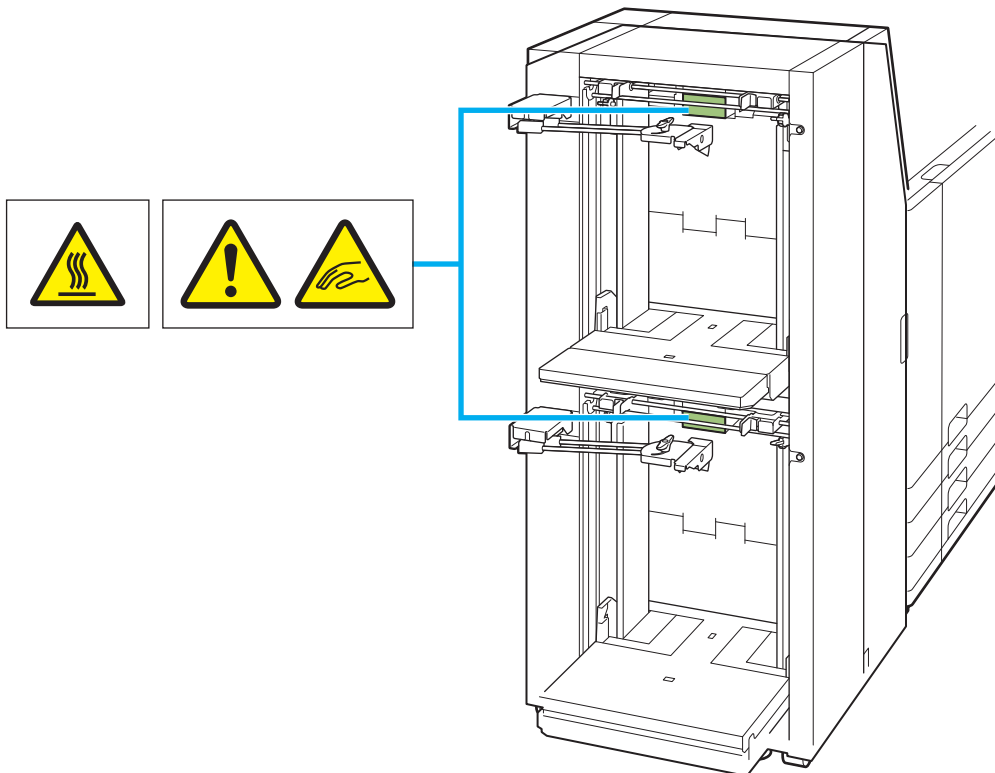
Caution Label

For safety use, the caution label below is adhered to the Double Tray Feeder. When operating or maintaining the Double Tray Feeder, obey the instructions on the caution label for safe use. Do not remove or dirty the label.

If the label is not stuck on the Double Tray Feeder, is peeling off, or is unreadable, contact your dealer or authorized service representative.

■ Location of the Caution Label

The location of the caution label (warning) is shown below.



■ Label Details

- The location of the label may be high temperature. Contact may result in burn.
- Your fingers may become caught while the Double Tray Feeder moves or when you load paper in the standard tray.

Loading the Paper

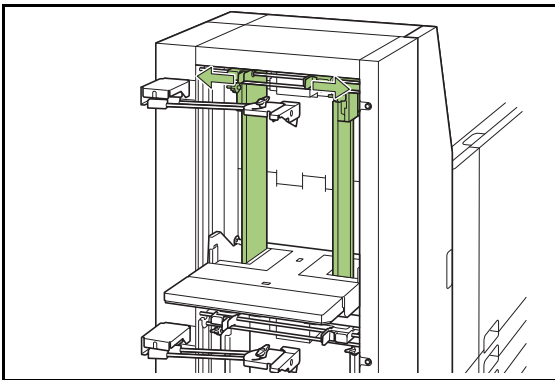
How to load paper is common to the upper and lower standard trays. This section describes how to load paper in the upper standard tray as an example.

- Paper cannot be fed continuously if you load different size paper in the upper and lower standard trays.

- The upper standard tray can be detached by lifting the tray part. Detach the upper standard tray if it gets in the way of loading paper in the lower standard tray.

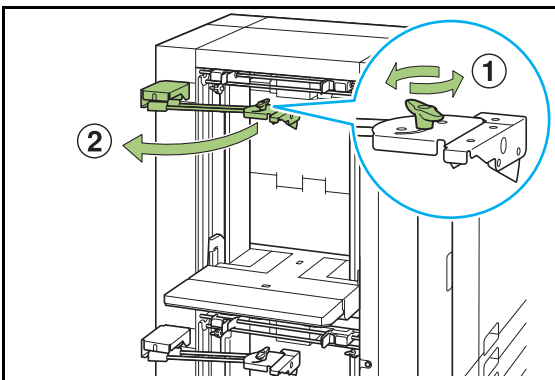
1 Spread the paper feed guides (side).

Pinch the paper feed guide levers (both sides) to unlock and slide the guides.



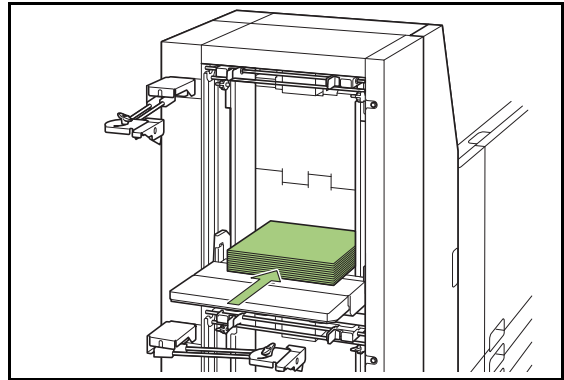
2 Spread the paper feed guide (end).

Turn the knob of the paper feed guide (end) counter-clockwise to unlock and spread the guide.



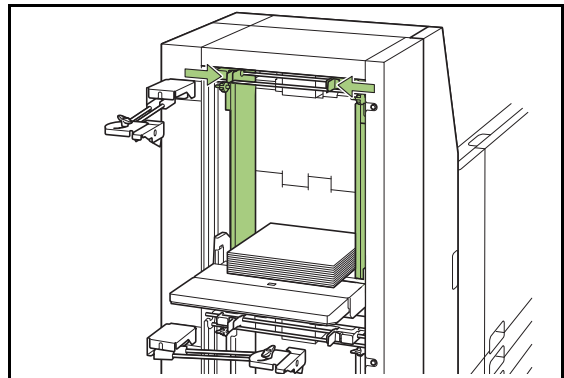
3 Load the paper.

Load about 500 sheets at a time in the standard tray.



4 Adjust the paper feed guides (side) so that they are suitable for the paper size.

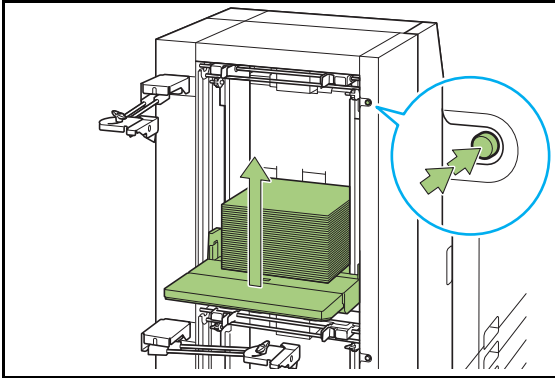
Slide the guides while pinching the paper feed guide levers to match the guides against the edges of the paper.



5 Set the remaining paper.

6 Press and quickly release the standard tray descent button twice.

The standard tray moves up to the paper feeding position.

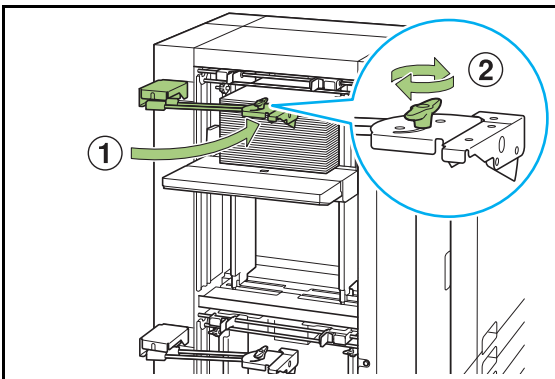


9 On the operation panel of Printer 1, check the tray settings of [Paper Tray].

When you have switched to a different type or size of paper, be sure to update the [Paper Tray] setting.

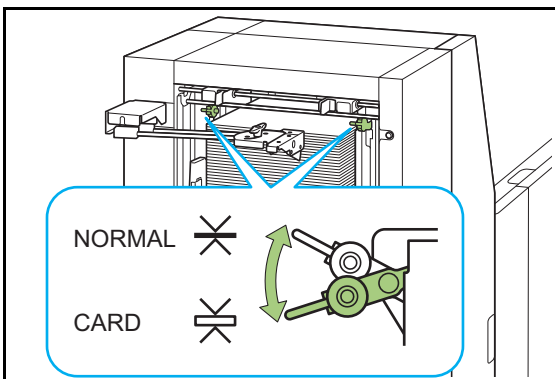
7 Adjust the paper feed guide (end) so that it is suitable for the paper size.

Adjust the paper feed guide (end) to match the guide against the edge of the paper, and turn the knob clockwise to fix the guide in position.



8 Adjust the side air adjustment levers (both sides).

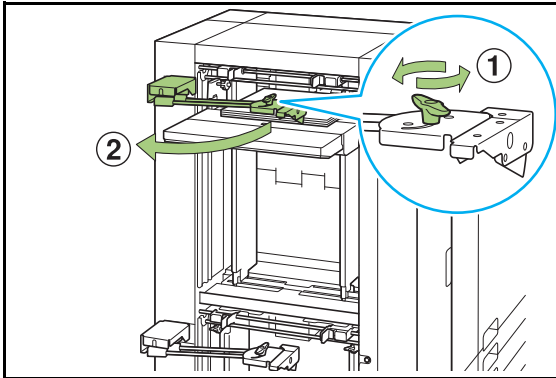
For general use, set to "NORMAL". For thick paper and special paper, set to "CARD".



Adding the Paper

1 Spread the paper feed guide (end).

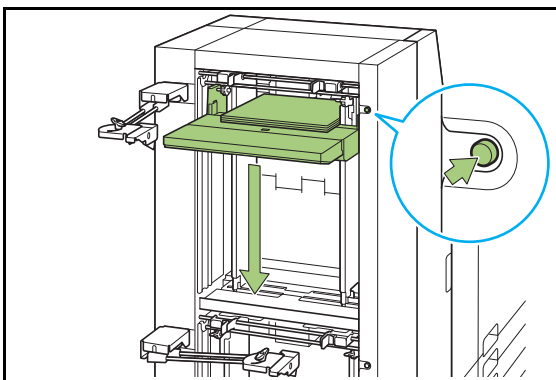
Turn the knob of the paper feed guide (end) counter-clockwise to unlock and spread the guide.



2 Press the standard tray descent button to lower the standard tray.

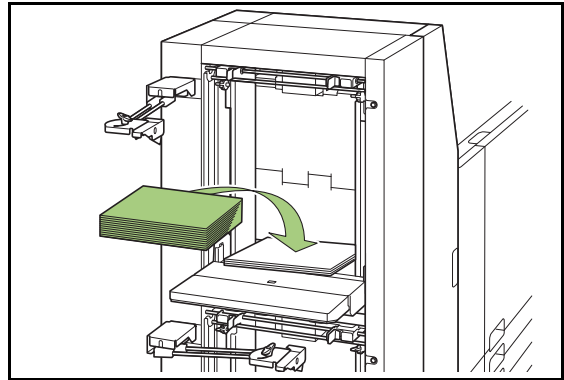
How the standard tray is lowered will differ depending on how the standard tray descent button is operated.

Hold down	The standard tray will keep lowering for as long as the button is being pressed. Hold the button down until the tray reaches the desired position.
Press and quickly release	The standard tray will be lowered to the position specified by the administrator.



- The standard tray is also automatically lowered when all paper is removed.
- The position to which the standard tray is lowered when the standard tray descent button is pressed and quickly released or when paper runs out is set on "Admin Menu" (p. 32).

3 Add the paper.



4 Press and quickly release the standard tray descent button twice.

5 Adjust the paper feed guide (end) so that it is suitable for the paper size.

List of Setting Items

The following items related to the Double Tray Feeder can be specified on the [Admin Menu] screen.



- The factory settings are underlined.

Admin Menu

■ System

Setting / Description	Set value / Details
<p>Custom Paper Entry</p> <p>Use this function to register up to 99 irregular paper sizes. The registered paper names are displayed as options in [Paper Size] - [Custom].</p> <p>Touch [Measure Paper Size] to measure the size of the paper placed on the upper tray (Feed 1). In doing so, it is also possible to configure the paper size upon correcting the measured value for the height of the paper.</p>	<ul style="list-style-type: none"> • [Add], [Edit], [Delete] • [Registration Name] • [Paper Size] [Custom Size]: 148 mm × 210 mm to 330 mm × 460 mm (5 13/16" × 8 1/4" to 13" × 18 1/8") [Measure Paper Size] [Measurement Correction Value (H)]: ±10 mm (±0.4")

■ Printer

Setting / Description	Set value / Details
<p>Double Tray Feeder</p> <p>Configure to which position the standard tray is lowered when the system runs out of paper or when the standard tray descent button is pressed and quickly released.</p>	See "Double Tray Feeder" (p. 27).
<p>Paper Tray Priority</p> <p>Specify the priority for the upper and lower standard trays when feeding paper.</p>	[Feed 1], [<u>Feed 2</u>]

Double Tray Feeder

Configure to which position the standard tray is lowered when the standard tray descent button is pressed and quickly released or when the system runs out of paper.

[Feed 1]

Configure the setting for the upper standard tray.

[Feed 2]

Configure the setting for the lower standard tray.

[Paper out]

[1], [2], [3], (Factory setting: [3])

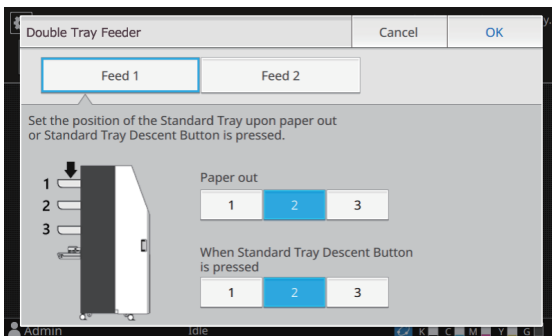
[When Standard Tray Descent Button is pressed]

[1], [2], [3], (Factory setting: [1])

1 On the [Admin Menu] screen, select [Printer] - [Double Tray Feeder].

The [Double Tray Feeder] screen is displayed.

2 Configure the settings.



- When [Paper out] is set to [3], the standard tray is lowered to the bottommost position. While it is possible to set a greater amount of paper at once, this requires that you squat when loading the paper in the lower standard tray. When [Paper out] is set to [1] or [2], the paper tray will stop before reaching the bottommost position and thus make it possible to load the paper while standing.

3 Touch [OK].

The [Admin Menu] screen is displayed



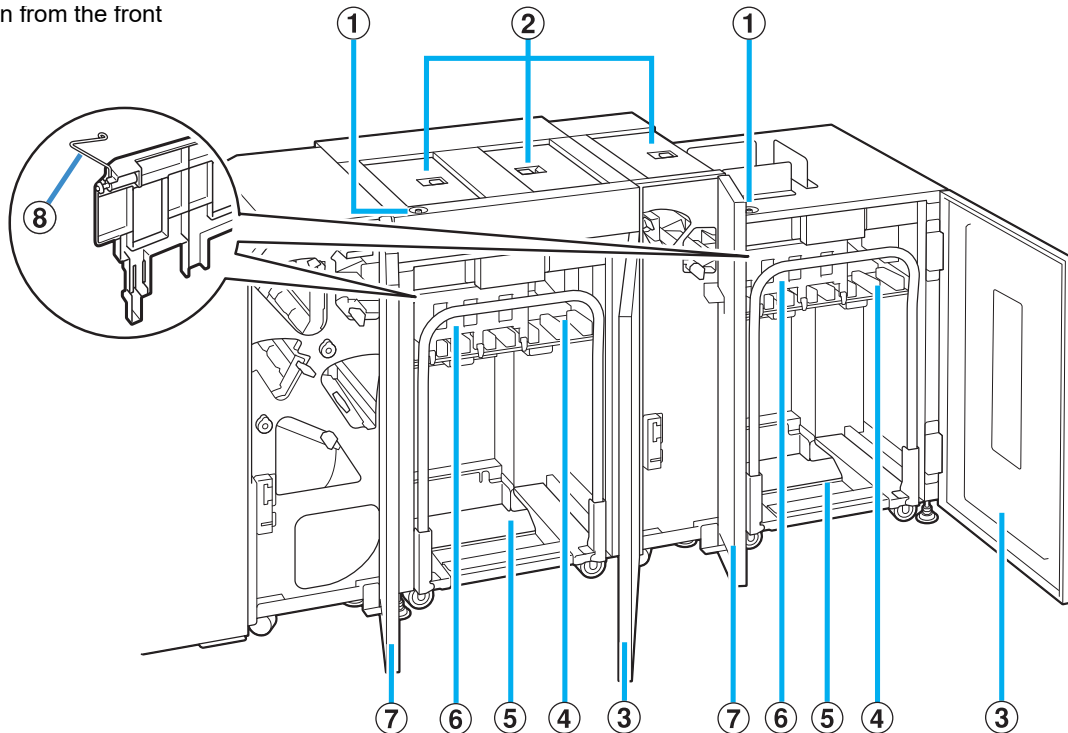
- When the standard tray descent button is pressed when the standard tray is at a position lower than the configured lowering position, the standard tray will be lowered to the position of the next number.

Double Tray Stacker

Connecting the Double Tray Stacker allows you to stack 8,000 sheets* of paper (4,000 sheets* for stacking trays of stacker 1 and stacker 2, respectively). The printouts that have been output can be removed at once with the dedicated carriage.

* When using plain paper, recycled paper (85 g/m² (23-lb bond))

- As seen from the front



① Stacking Tray Descent Button

Press this button to remove printouts from the stacking tray. If you press the stacking tray descent button, the stacking tray lowers to the bottom (the position of the carriage). The stacking tray stops when you press the stacking tray descent button during lowering. If you press the button again, the stacking tray continues lowering. The stacking tray does not operate during printing even if you press the stacking tray descent button. Press with the right and left covers closed.

② Upper Transfer Cover

Open this cover when removing printouts, setting the carriage in position, or when removing paper jams.

③ Right Cover

Open this cover when removing printouts, setting the carriage in position, or when removing paper jams.

④ Stacking Tray

Printouts are output to this tray.

⑤ Carriage

Set this dedicated carriage inside the Double Tray Stacker. Connect the stacking tray to the carriage to transport high-volume printouts.



- Be sure to use the dedicated carriage with the Double Tray Stacker.

⑥ Paper Guide

Use this guide to prevent printouts that have been output from becoming misaligned.

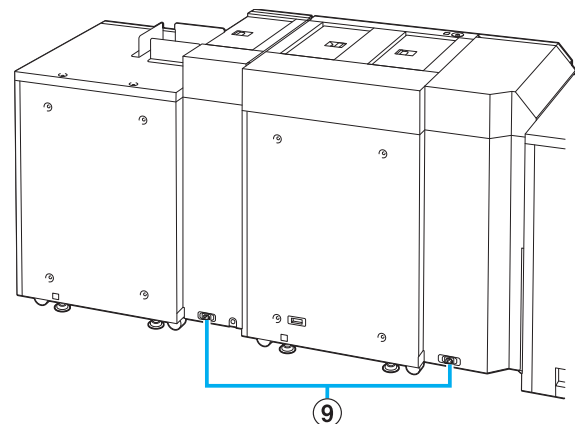
⑦ Left Cover

If a paper jam occurs while paper is being transported, open this cover and remove the jammed paper.

⑧ Corrugators

Set the corrugators to feed paper smoothly according to the paper type and align printouts to stack neatly.

- As seen from the back



⑨ Double Tray Stacker Socket

Connect the Double Tray Stacker power cord. The socket is located on the back of the Double Tray Stacker.

Removing Printouts

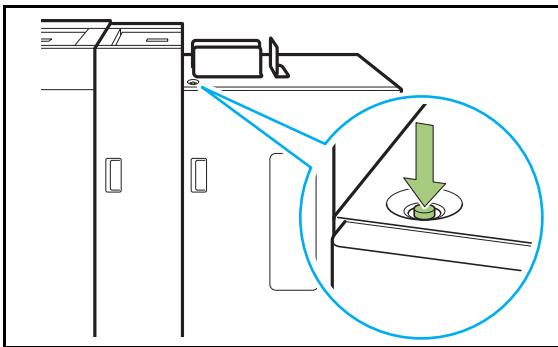
Remove printouts from the Double Tray Stacker. There are two ways of removing the printouts.



- You can remove printouts by opening the right cover of the stacker that is not operated while the other stacker is operated.

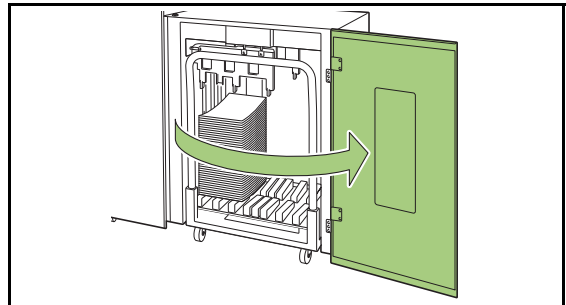
■ When removing printouts with the carriage

1 Press the stacking tray descent button.



- Press the stacking tray descent button in a state where the covers on both sides of the stacker are closed. The stacking tray will not operate if the covers are open.
- The stacking tray will be automatically lowered to bottommost position after it outputs approximately 3,200 to 4,000 sheets of paper (at full capacity).
- Once printing has ended, the stacking tray will be automatically lowered to a position configured by the administrator. To change the position to which the stacking tray is lowered, contact your administrator.
- If you accidentally press the stacking tray descent button while printing, be sure to remove the printouts. In a state where printouts exist on the tray, the unit will not be capable of raising the stacking tray to the position for output.

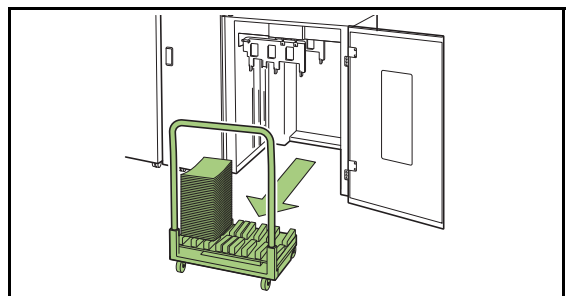
2 Open the right cover of the Double Tray Stacker.



3 Pull out the carriage along with the stacking tray on it.



- Slowly pull out the carriage while holding its handle. Abruptly moving the cart may cause the printouts to collapse.

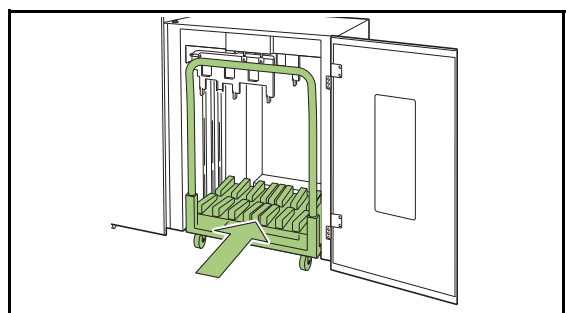


4 Remove printouts from the carriage.

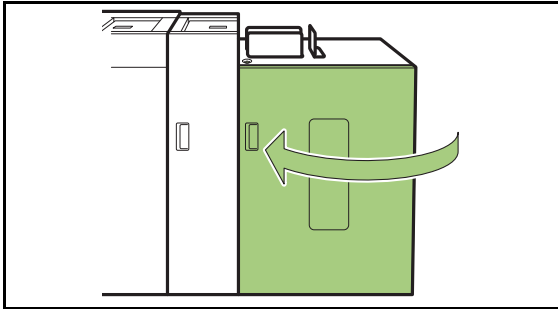
5 Return the carriage to the Double Tray Stacker.



- Be sure to return the carriage in a state where the stacking tray has been set.

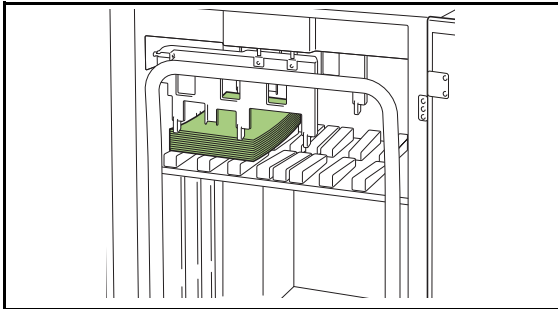


6 Close the right cover of the Double Tray Stacker.

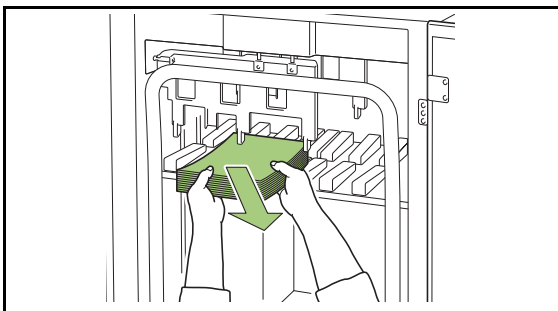


■ When Removing Only the Printouts

1 Open the right cover of the Double Tray Stacker.



2 Remove the printouts.



• The position at which the stacking tray will stop is configured in "Admin Menu" (p. 32). To change the position to which the tray is lowered, contact your administrator.

• Depending on the position at which the stacking tray will stop, the printouts may interfere with the guides making it difficult to be removed. In such case, close the right cover, press the stacking tray descent button, and remove the printouts after the stacking tray has been lowered.

• Depending on the size of the paper that has been output, the printouts may interfere with the handle of the carriage making it difficult to be removed. In such case, close the right cover, press the stacking tray descent button, and lower the stacking tray to the carriage. This will allow you to pull out the entire carriage and remove the paper.

3 Close the right cover of the Double Tray Stacker.



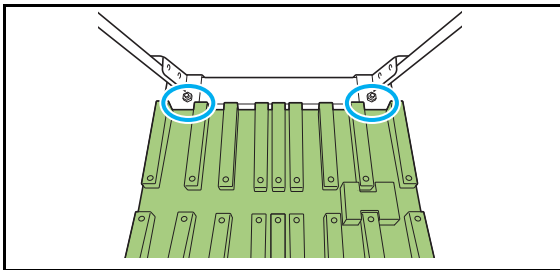
• If the carriage has been pulled out in step 2, close the right cover after setting the carriage back into the Double Tray Stacker.

• When configured so that the stacking tray is not lowered even after printing has ended, if there is paper on the stacking tray, the output guide is unable to move and may not be able to support the size of paper for the next job. Before printing jobs of different paper sizes, paper orientations, or paper tray settings, be sure to remove the paper on the stacking tray.

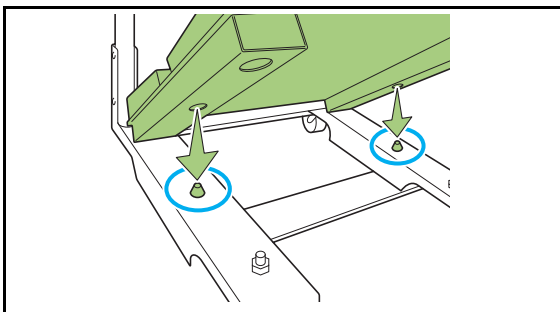
Setting the Stacking Tray on the Carriage

The stacking tray can be removed from the carriage. When you have removed the stacking tray to remove printouts, set the stacking tray on the carriage and return the Double Tray Stacker together with the carriage.

- 1** Align the end of the stacking tray with the two screws at the base of the handle on the carriage.



- 2** Set the carriage by inserting its protrusions into the holes in the stacking tray.




List of Setting Items

The following items related to the Double Tray Stacker can be specified on the [Maintenance] screen and the [Admin Menu] screen.




- The factory settings are underlined.


Maintenance

Setting / Description	Set value / Details
<p>Jogger Setting</p> <p>Configure whether to vibrate the paper guides (side/end) to improve the alignment of printouts.</p> <p> • The paper guides (side/end) do not vibrate when printouts are stacked with offset.</p> <p>• [Jogger Setting] cannot be changed during printing.</p>	<p><u>[OFF]</u>, [ON]</p>

Admin Menu

■ Printer

Setting / Description	Set value / Details
<p>Double Tray Stacker</p> <p>Configure to which position the stacking tray is lowered when the system finishes or pauses the job that outputs paper to the Double Tray Stacker. Touch [Unit1] to configure the left stacker setting. Touch [Unit2] to configure the right stacker setting.</p> <p> • When set to <u>[Do not lower]</u>, the stacking tray will not be lowered at the end of the job. This setting is suitable when you output many jobs of single pages (variable printing) or a small number of printouts. When you output a small number of printouts, the time for waiting until the stacking tray returns to the printing position can be shorted.</p> <p>• When set to [Lower to the carriage], regardless of the number of printouts, the stacking tray will be lowered to the carriage at the end of the job. This will eliminate the need to press the button for lowering the stacking tray when pulling out the entire carriage for a large amount of printouts. However, it will not be possible to print the next job until the printouts are removed and the stacking tray has returned to the printing position.</p> <p>• When set to [Lower to the specified position], the stacking tray will be lowered to the specified position at the end of the job. Use this setting to configure a position at which you can easily remove the printouts when not using the carriage.</p> <p>• When an equivalent of 3,200 to 4,000 sheets has been output to the stacking tray, the stacking tray will be lowered to the carriage regardless of the setting of [Double Tray Stacker].</p>	<p><u>[Do not lower]</u>, [Lower to the carriage], [Lower to the specified position] Input value: 150 mm - 400 mm (6" - 15") (Factory setting: 150 mm (6"))</p>

Setting / Description	Set value / Details
<p>Output Tray Priority</p> <p>Specify the priority for the stacking trays when outputting paper.</p> <p> • When the output tray is specified on the print settings of the print controller, printouts are output to the specified tray.</p>	<p>[Unit1], [Unit2]</p>

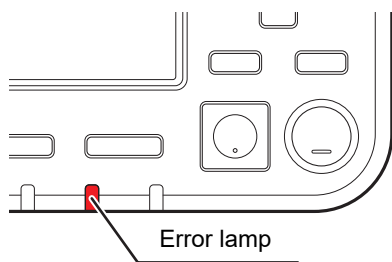
Troubleshooting

This chapter describes the reasons why the error lamp flashes on the operation panel and messages appear on the touch panel, and what action to take.

When the message is displayed, resolve the problem following the instructions in the displayed message.

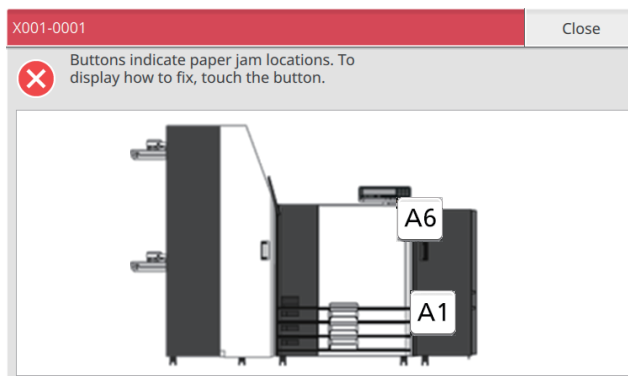
Error lamp of the printer's operation panel

When an error occurs, the error lamp flashes in red.



Error messages on the printer's touch panel

A description of the problem and instructions for resolving the problem are displayed, as shown in the illustration below.



- An alphanumeric error code is displayed at the top of the error message screen. Be sure to mention this error code when contacting your service representative.
 - The first letter of the error code indicates the type of problem.
 - The numbers vary depending on the location of the problem.

Examples of the Messages

The following are examples of messages. Follow the instructions in the displayed messages to resolve the problems.



- [Cancel] and [Continue] may be displayed on the printer's touch panel. Touch [Cancel] to stop the current operation. Touch [Start] to resume the current operation on the Print Controller operation screen.
- For details on error messages, refer to "Troubleshooting Guide" of the printer.

<S000-0000> Service Call

These error messages are displayed when inspection or repair is required by a service representative.

Message	Action to Take
A problem has occurred. Turn the power off and on again with the power key on the operation panel. If the problem persists, contact your dealer.	An error occurred in the printer. (1) Press the [Power] key on the operation panel to turn off the power and the power back on again. For more information, see "Power Supply" (p. 19). (2) If the system does not recover, contact your dealer or authorized service representative. Mention the error code displayed on the touch panel at that time.

<U000-0000> Unit Error

These error messages are displayed when repair is required by a service representative.

Message	Action to Take
A problem has occurred. Press the Reset key, or turn the power off and on again with the power key on the operation panel. If the problem persists, contact your dealer.	An error occurred in the printer. (1) Press the [Reset] key on the operation panel. (2) If the system does not recover, press the [Power] key to turn off the power and then back on. For more information, see "Power Supply" (p. 19). (3) If either of the two recovery operations above does not help solve your error, contact your dealer or authorized service representative. Mention the error code displayed on the touch panel at that time.

<X000-0000> Paper Jam

These error messages are displayed when there is a paper jam.

Message	Action to Take
Buttons indicate paper jam locations. To display how to fix, touch the button.	Paper is jammed inside the system, or no paper or multiple sheets of paper fed. Touch the button indicating the location of the paper jam to display how to remove the jammed paper, and follow the procedure displayed on the touch panel to remove the paper. For more information, see "Paper Jam" (p. 36).

Paper Jam

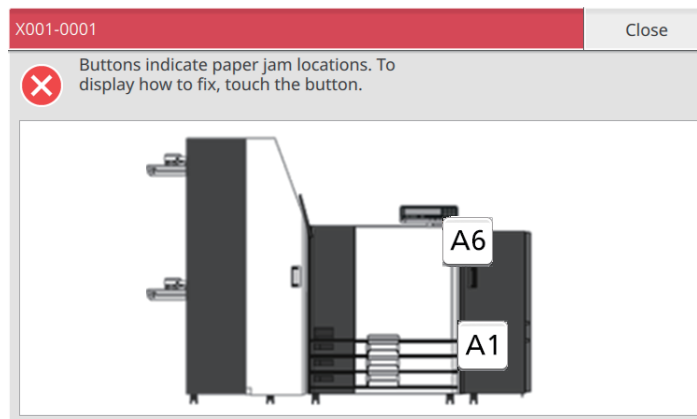
If a paper jam occurs, the error lamp on the operation panel flashes in red, and the paper jam location is displayed on the touch panel. Follow the procedure displayed on the touch panel to remove the jammed paper and resume printing.

- The operation panel 1 displays paper jam from the Double Tray Feeder to the JOINT UNIT. The operation panel 2 displays paper jam from the printer 2 to the Double Tray Stacker.

CAUTION

Be careful of protruding parts and metal terminals when inserting your hand in the system, such as when removing jammed paper. Otherwise, an injury might occur.

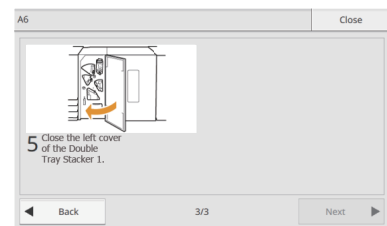
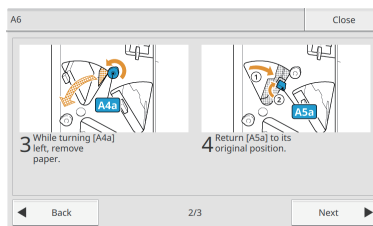
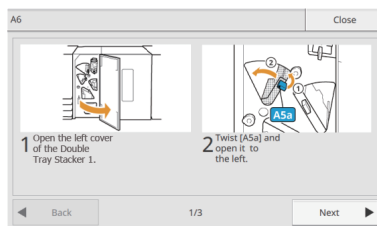
- 1** Touch the alphanumeric button indicating the location of the paper jam to display how to remove the jammed paper.



- 2** Follow the procedure displayed on the touch panel to remove the paper.

Touch [Back] or [Next] to display the previous or next page.

(The screenshots below are examples of the display when there is a paper jam.)



- 3** Touch [Close].

The display will return to the screen of Step 1. Check that the button indicating the location where the paper was removed has disappeared.

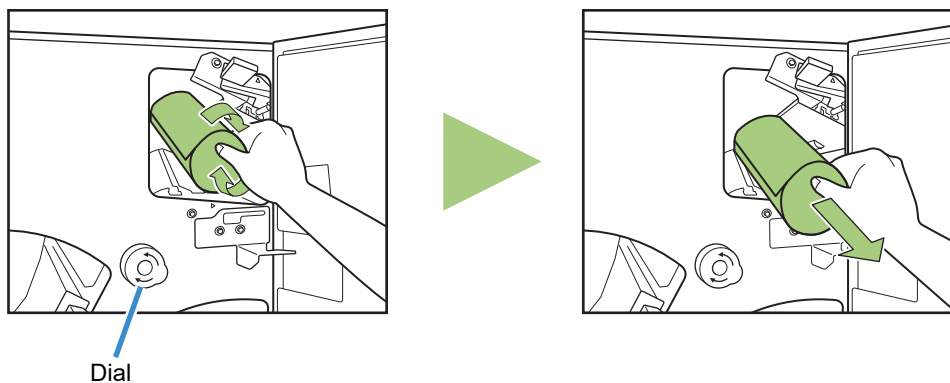
When all of the jammed paper is removed and the cover is closed, the error screen closes and the previous screen is displayed.



- As long as alphabet buttons are displayed on the screen, paper still remains in the indicated locations. Repeat Steps 1 to 3 to remove the jammed paper.

Precautions when Removing Jammed Paper

- Slowly and carefully remove the jammed paper. Be careful not to leave pieces of paper in the system.
- When removing the A3 / long paper from the JOINT UNIT, roll the paper a little at a time in the output direction inside the JOINT UNIT, and then remove the paper toward you.



- Paper is transferred through the printer at a high speed during printing. Therefore, if a paper jam occurs when printing multiple sheets of paper, the sheet of paper that caused the paper jam as well as other sheets of paper may remain in the transfer path. When using an internal dial of the printer or an internal dial of the JOINT UNIT to remove jammed paper, turn the dial four or five times after removing the first sheet of paper, to check for other sheets of paper.

Error Message when Turning On the Power

Did you press the [Power] keys on the Operation Panel 1 and the Operation Panel 2 at the same time?
You cannot turn on the power of the whole system by just pressing one [Power] key.

Turn off the power of the operation panel on which the error is displayed, and press [Power] keys on the Operation Panel 1 and Operation Panel 2 at the same time again.

Specifications

■ Specifications of the JOINT UNIT

Model	JOINT UNIT G10
Type	JOINT UNIT
Paper Size	148 mm × 210 mm - 340 mm × 465 mm (5 13/16" × 8 1/4" - 13 3/8" × 18 5/16")
Paper Type and Weight	46 g/m ² - 210 g/m ² (12-lb bond - 56-lb bond) (plain paper, recycled paper)
Power Source	AC 100-240 V 1.4-0.7 A 50-60 Hz
Power Consumption	Max. 140 W (JOINT UNIT) Max. 2910 W (this system) ¹
	Ready ² : 30 W or less
	Stand-by: 0.5 W or less
Operating Noise	68 dB (A) or less A4-LEF (Simplex) at the maximum print speed
Operating Environment	Temperature: 15 °C - 30 °C (59 °F - 86 °F) Humidity: 40% - 70% RH (non-condensing)
Dimensions (W × D × H)	410 mm × 660 mm × 965 mm (16 1/8" × 25 31/32" × 37 31/32")
Weight	Approx. 55 kg (121 lb)
Safety Information	Indoor type, pollution degree 2*, At an altitude of 2000 m or lower * The pollution degree of the usage environment due to dirt and dust in the air. Degree "2" corresponds to a general indoor environment.

1 Two RISO printers (2400 W) + JOINT UNIT (140 W) + Double Tray Feeder (180 W) + Double Tray Stacker (190 W)

2 Without printing operation

■ Specifications of the Double Tray Feeder

Model	Double Tray Feeder
Type	External Double Tray Feeder Unit
Paper Size	148 mm × 210 mm - 330.2 mm × 465 mm (5 13/16" × 8 1/4" - 13" × 18 5/16")
Paper Type and Weight	46 g/m ² to 210 g/m ² (12-lb bond to 56-lb bond) (plain paper, recycled paper)
Tray Capacity	Height up to 440 mm ¹ (17 11/32") (2 trays)
Power Source	AC 100 V - 240 V, 1.8 A - 0.9 A, 50 Hz - 60 Hz
Power Consumption	Max. 180 W
	Ready ² : 40 W or less
	Stand-by: 0.5 W or less
Operating Noise	Max. 68 dB (A) A4-LEF (Simplex/duplex) at the maximum print speed
Dimensions (W × D × H)	940 mm × 630 mm × 1445 mm (37" × 24 13/16" × 56 7/8")
Weight	Approx. 162 kg (357 lb)
Safety Information	Indoor type, pollution degree 2*, At altitudes of 2,000 m or lower * The pollution degree of the usage environment due to dirt and dust in the air. Degree "2" corresponds to a general indoor environment.
Dimensions when connected to the printers, JOINT UNIT, and Double Tray Stacker	With the cover of each part open and the operation panel in the upright position: 4955 mm × 1340 mm × 1445 mm (195 3/32" × 52 3/4" × 56 7/8")

1 When using plain paper, recycled paper (85 g/m² (23-lb bond))

2 Without printing operation

■ Specifications of the Double Tray Stacker

Model	Double Tray Stacker L/R
Type	Double Tray Stacker with the Offset Output Function
Paper Size	Without offset: 148 × 210 mm - 340 × 460 mm* (5 13/16" × 8 1/4" - 13 3/8" × 18 1/8") Offset: 148 × 210 mm - 340 × 432 mm* (5 13/16" × 8 1/4" - 13 3/8" × 17") *Envelopes are not acceptable
Paper Type and Weight	46 g/m ² to 210 g/m ² (12-lb bond to 56-lb bond) (plain paper, recycled paper)
Tray Capacity	Collating: Height up to 440 mm (17 11/32") ¹ (2 trays) Offset: Height up to 405 mm (16") ² (2 trays)
Power Source	AC 100 V - 240 V, 1.9 A - 1.0 A, 50 Hz - 60 Hz
Power Consumption	Max. 190 W
	Ready ³ : 80 W or less
	Stand-by: 0.5 W or less
Operating Noise	68 dB (A) or less A4-LEF (Simplex/duplex) at the maximum print speed
Dimensions (W × D × H)	1885 mm × 740 mm × 1055 mm (74 7/32" × 29 1/8" × 41 17/32")
Weight	Approx. 281 kg (620 lb)
Safety Information	Indoor type, pollution degree 2*, At altitudes of 2,000 m or lower * The pollution degree of the usage environment due to dirt and dust in the air. Degree "2" corresponds to a general indoor environment.
Dimensions when connected to the printers, JOINT UNIT, and Double Tray Feeder	With the cover of each part open and the operation panel in the upright position: 4955 mm × 1340 mm × 1445 mm (195 3/32" × 52 3/4" × 56 7/8")

- 1 Height up to 110 mm (4 5/16") for A5, non-regular size paper
- 2 Not applicable to A5, non-regular size paper.
- 3 Without printing operation

Consumables

It is recommended that you use the consumable products listed below.
Consumable specifications and types are subject to change without notice.
For pricing information, please contact your dealer or authorized service representative.

Ink Cartridges

Type	Color	Quantity	Unit
VALEZUS INK	Cyan Magenta Yellow Gray Black	NET. 1,000 ml	1 piece

Use the ink cartridge within approximately 24 months from the date of manufacture (when preserved under room temperature).
For optimal printing quality, we recommend that you use the ink cartridge as soon as possible after purchase.
You can find the date of manufacture on the ink cartridge.

Vorsichtsmaßnahmen

Verbindungseinheit

Modell: JOINT UNIT G10

Modell: Double Tray Feeder

Modell: Double Tray Stacker L/R

Die Verwendung unterliegt der Warnung, dass durch nicht autorisierte und nicht genehmigte Veränderungen oder Bearbeitungen die Verwendungsbefugnis erlöschen kann.

Achtung

Dieses Produkt entspricht Klasse A. In einer häuslichen Umgebung könnte dieses Produkt Funkstörungen verursachen. In diesem Fall sind entsprechende Gegenmaßnahmen zu ergreifen.

An das JOINT UNIT angeschlossene Drucker sind Produkte der Klasse B. Sie gelten jedoch als Klasse-A-Produkte, wenn sie als System verwendet werden (Eine Reihe von Gerätekonfigurationen, einschließlich der an das JOINT UNIT angeschlossenen Drucker).

MASCHINENLÄRMINFORMATION

Maschinenlärminformations-Verordnung 3. GPSGV:

Der höchste Schalldruckpegel beträgt 70 dB(A) oder weniger gemäß EN ISO 7779.



Hinweis: Das Gerät ist nicht für die Benutzung am Bildschirmarbeitsplatz gemäss BildscharbV vorgesehen.

Copyright © 2020 RISO KAGAKU CORPORATION





Dieser Abschnitt beschreibt Vorkehrungen, die zur sicheren Benutzung dieses Systems befolgt werden müssen. Bitte lesen Sie diesen Abschnitt vor der Benutzung des Systems gut durch.

Warnsymbole

Damit dieses System richtig betrieben wird und Verletzungen sowie Sachschäden vermieden werden, kommen folgende Warnsymbole zur Anwendung. Lesen Sie zuerst die Bedeutung der Symbole durch und danach das Handbuch.

 WARNUNG	Dieses Symbol bedeutet, dass eine unrichtige Handhabung beziehungsweise das Ignorieren dieses Symbols zum Tod oder schweren Verletzungen führen kann.
 VORSICHT	Dieses Symbol bedeutet, dass eine unrichtige Handhabung beziehungsweise das Ignorieren dieses Symbols zu schweren Verletzungen oder Sachschäden führen kann.

Symbolbeispiele

	Das Symbol  zeigt eine verbotene Aktion an. Ein konkretes, verbotenes Vorgehen wird im Symbol selbst oder daneben angegeben. (Die Abbildung links zeigt das Verbot des Auseinandernehmens.)
	Das Symbol  zeigt eine zwingende Aktion oder einen Hinweis an. Im Symbol wird ein konkreter Hinweis angegeben. (Die linke Abbildung zeigt einen Hinweis zum Herausziehen des Netzsteckers.)

Netzstecker

- Zusätzlich zur JOINT UNIT haben auch Drucker und spezieller Geräte, die mit den Druckern verbunden sind, Netzstecker.



Aufstellungsort

VORSICHT

- Stellen Sie dieses System auf einer ebenen oder stabilen Oberfläche auf. Anderenfalls kann das System kippen oder herunterfallen und Verletzungen verursachen.
- Stellen Sie das System nicht an einem staubigen oder feuchten Ort auf. Anderenfalls kann es zum Brand oder zu elektrischen Schlägen kommen.

Netzanschluss

WARNUNG

- Überprüfen Sie die Spezifikationen für die Stromversorgung des Systems und benutzen Sie nur eine Stromversorgung mit ausreichender Kapazität. Anderenfalls kann es zu einem Brand oder zu elektrischen Schlägen kommen.
- Der Stromverbrauch des Systems kann steigen. Beziehen Sie Strom von mehreren Orten, nicht nur von einem Ort. Falls trotzdem ein Verlängerungskabel benötigt wird, darf es nicht länger als 5 m sein. Anderenfalls kann es zum Brand oder zu elektrischen Schlägen kommen. 
- Das Spannungskabel darf weder beschädigt noch abgeändert werden. Werden schwere Gegenstände auf das Kabel gestellt, oder wird daran gezogen oder das Kabel geknickt, kann das Kabel Schaden erleiden, und dadurch einen Brand bzw. einen elektrischen Schlag verursachen. 


- Niemals das Kabel mit nassen Händen aus der Steckdose ziehen. Anderenfalls könnte es einen elektrischen Schlag geben.

VORSICHT

- Schließen Sie das Stromkabel fest in den optionalen Netzanschluss der Druckereinheit, um einen Wackelkontakt zu vermeiden.
- Ziehen Sie den Stecker nicht am Kabel heraus. Anderenfalls kann dieses beschädigt werden und einen Brand oder einen elektrischen Schlag verursachen. Zum Abtrennen des Kabels immer nur am Stecker anfassen.
- Falls das System für längere Zeit nicht gebraucht wird, beispielsweise über mehrere Feier- oder Ferientage hinweg, sollte das Netzkabel sicherheitshalber aus der Steckdose gezogen werden.
- Ziehen Sie den Stecker mehr als einmal pro Jahr aus der Steckdose und reinigen Sie seine Polstifte und ihre Umgebung. Staub, der sich an dieser Stelle angesammelt hat, könnte einen Brand verursachen.

Masseanschluss

WARNUNG

- Achten Sie darauf, dass der Netzstecker mit einem Masseleiter in einen Wandanschluss mit einer Schukosteckdose gesteckt wird. Verwenden Sie das System nur, wenn es geerdet ist.  Anderenfalls kann es zum Brand oder elektrischen Schlägen kommen.

Behandlung

WARNUNG

- Stellen Sie keine Wassergefäße oder Metallobjekte auf das System. Falls Wasser oder ein solches Metallobjekt ins Innere des Systems eindringt, kann dies zu einem Brand oder zu elektrischen Schlägen führen.
- Entfernen Sie die Abdeckungen nicht. Andernfalls könnten Sie aufgrund der Hochspannung im Inneren elektrischen Schlägen ausgesetzt sein. 
- Sie sollten das System nie zerlegen oder selbst zusammenbauen. Andernfalls kann es zum Brand oder zu elektrischen Schlägen kommen.
- Lassen Sie keinerlei metallische Gegenstände oder entzündbares Material durch irgendeine Öffnung ins Innere des Systems eindringen. Andernfalls kann es zum Brand oder zu elektrischen Schlägen kommen.
- Wenn etwas in das System fällt, drücken Sie sofort die [Netz]-Taste auf dem Bedienfeld, um die Antriebsenergie abzuschalten, und schalten Sie dann die Hauptschalter beider Drucker aus. Trennen Sie dann alle Stromkabel und wenden Sie sich an Ihren Händler oder eine autorisierte Kundendienstvertretung. Das Weiterbenutzen der Maschine könnte einen Brand oder einen Stromschlag verursachen. 
- Im unwahrscheinlichen Fall, dass das System weiter benutzt wird, während es übermäßige Hitze, Rauch oder einen schlechten Geruch verströmt, kann es zu einem Stromschlag kommen. Drücken Sie sofort die [Netz]-Taste auf dem Bedienfeld, um die Antriebsenergie abzuschalten. Schalten Sie dann die Hauptschalter beider Drucker ab. Trennen Sie dann unbedingt alle Stromkabel und wenden Sie sich an Ihren Händler oder den Kundendienst. 

VORSICHT

- Achten Sie auf vorstehende Teile und Anschlusspunkte aus Metall, wenn Sie die Hand in die JOINT UNIT und spezieller Geräte führen, um zum Beispiel gestautes Papier zu entfernen. Sie könnten sich verletzen.
- Im Inneren des Systems kann sich Tinte befinden. Achten Sie darauf, Ihre Hände oder Kleidung nicht mit Tinte zu beschmutzen. Sollte Tinte aus Versehen in Kontakt mit Ihren Händen kommen, waschen Sie sie so bald wie möglich mit Reinigungsmittel ab.
- Wenn Sie das System an einem anderen Ort aufstellen, wenden Sie sich an Ihren Händler oder eine autorisierte Kundendienstvertretung. Falls Sie versuchen, das System unter Kraftaufwand zu transportieren, können die Maschinen umkippen und Verletzungen herbeiführen.
- Bei Verwendung des Doppelte Zufuhr



Vorsicht! Finger wird eingeklemmt.

Greifen Sie nicht mit den Fingern in die Öffnung im Hauptgehäuse des Doppelte Zufuhr.

Dies kann dazu führen, dass Ihr Finger eingeklemmt werden, während sich das Doppelte Zufuhr bewegt.



Vorsicht! Heiße Oberfläche

Da die Teile in der Nähe des Hochtemperatur-Warnaufklebers heiß sein und Verbrennungen verursachen können, sollten Sie diese Teile nicht direkt mit den Fingern berühren.

Vor Inbetriebnahme

Dieser Abschnitt erläutert Vorsichtsmaßnahmen, die vor der Benutzung des Systems zu beachten sind.

Aufstellungsort

Beachten Sie die folgenden Sicherheitshinweise.

- **Ihr Händler hilft Ihnen bei der Auslieferung dabei, einen geeigneten Aufstellungsort für das System zu finden.**
- **Wenn Sie das System an einen anderen Ort verlegen, benachrichtigen Sie zuvor die Servicestelle.**
- **Vermeiden Sie die Installation des Systems an folgenden Orten. Andernfalls kann es zu Fehlfunktionen, Störungen oder Unfällen kommen.**
 - Orte, die direktem Sonnenlicht oder starkem Lichteinfall ausgesetzt sind, etwa neben einem Fenster
(Ist dies unvermeidlich, bringen Sie Vorhänge zum Abdunkeln des Fensters an.)
 - Orte, die plötzlichen Temperaturschwankungen ausgesetzt sind
 - Sehr heiße und feuchte oder sehr kalte und trockene Orte
 - Orte nahe offener Feuerstellen oder Hitzequellen
 - Beheizte Stellen oder Orte, die direkter Kaltluft von Klimaanlage oder Heißluft sowie abgestrahlter Wärme von Heizkörpern ausgesetzt sind
 - Schlecht belüftete Orte
 - Staubige Orte
 - Orte, die vielen Vibrationen ausgesetzt sind
- **Installieren Sie das System an einer ebenen Stelle, die folgenden Anforderungen entspricht.**

Oberflächenhöhe zur Installation: 2 Grad oder weniger
- **Betreiben Sie das System unter folgenden Umgebungsbedingungen.**

Temperaturbereich: 15°C bis 30°C
Feuchtigkeitsbereich: 40% bis 70% RF (nicht kondensierend)

Netzanschluss

Beachten Sie die folgenden Sicherheitshinweise.

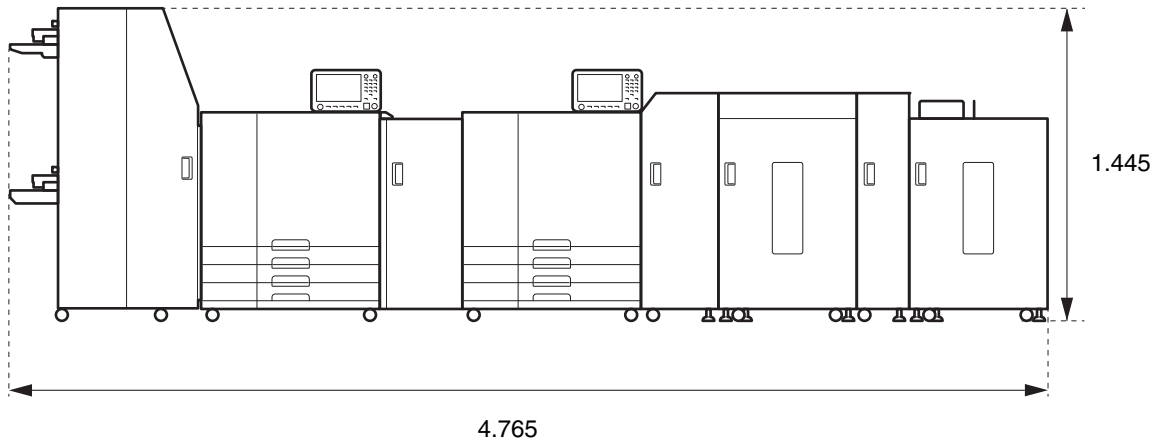
- **Schließen Sie das Stromkabel fest in den optionalen Netzanschluss der Druckereinheit, um einen Wackelkontakt zu vermeiden.**
- **Installieren Sie das System in der Nähe einer Stromsteckdose.**
- **Das Ein-/Ausschalten der JOINT UNIT und spezieller Geräte sperrt die Stromversorgung des Druckers.**

Abmessungen

Sorgen Sie für ausreichend Platz für den Systembetrieb, das Ersetzen von Verbrauchsartikeln und zur Wartung.

■ Doppelte Zufuhr, Druckeinheit, JOINT UNIT, Druckeinheit, und Doppelte Ablage

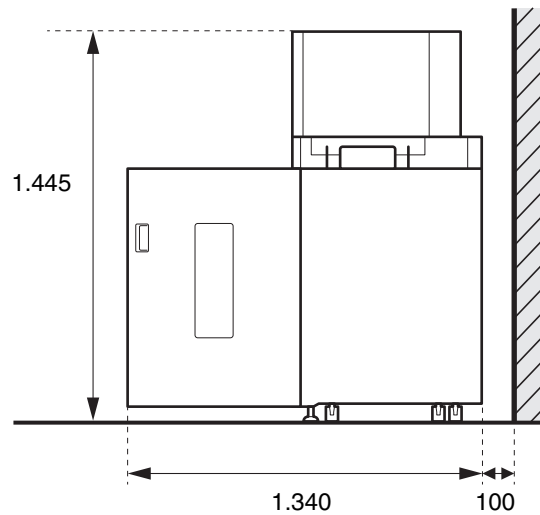
- Von Vorne gesehen



Die Breite beträgt 4.955 mm mit offener Abdeckung aller Teile und Betriebsteile.

Einheit: mm

- Von Vorne gesehen



Einheit: mm

Behandlung

- Schalten Sie nicht den Hauptnetzschalter aus und ziehen Sie nicht den Stecker, während die **JOINT UNIT** in Betrieb ist.
- Öffnen Sie keine Abdeckungen laufender Drucker und Einheiten.
- Bewegen Sie das System nicht.
- Das System enthält Präzisionskomponenten und bewegliche Teile. Führen Sie daher keine Vorgänge aus, die nicht in den Handbüchern beschrieben sind.
- Stellen Sie keine schweren Objekte auf das System und setzen Sie das System keinen starken Erschütterungen aus.
- Öffnen und schließen Sie die Abdeckungen behutsam.
- Lesen Sie zur Lagerung und Handhabung von Verbrauchsartikeln die Handbücher des Druckers.

Verwendbares Papier

Die folgenden Papierarten- und -größen können geladen werden. Die verwendbare Papiergröße ist die gleiche, wie die zugeführte Papiergröße der kombinierten Ausgabereinheit.

Größe	<ul style="list-style-type: none"> • VALEZUS T2100: 148 mm × 210 mm - 330,2 mm × 460 mm • Zufuhrfach (Drucker 1): 182 mm × 210 mm - 297 mm × 432 mm • Doppelte Ablage: Wenn Druckausgaben nicht gesammelt werden: 148 mm × 210 mm - 340 mm × 460 mm ¹ Wenn Versetzte Ausgabe genutzt wird: 148 mm × 210 mm - 340 mm × 432 mm ² • Doppelte Zufuhr: 148 mm × 210 mm - 330,2 mm × 465 mm
Gewicht	46 g/m ² - 210 g/m ² Riesgewicht: 40 kg - 180 kg (Duodecimo)
Papiertyp	Normalpapier, Recyclingpapier
Maximale Traglast	<ul style="list-style-type: none"> • Zufuhrfach (Drucker 1): Höhe bis 56 mm (3 Fächer) • Doppelte Zufuhr: Höhe bis 440 mm (2 Fächer)

1 Höhe bis zu 440 mm (Für A5 oder Papier unregelmäßiger Größe: Höhe bis zu 110 mm)

2 Höhe bis zu 405 mm (gilt nicht für A5 oder Papier unregelmäßiger Größe)



- Je nach Papiertyp, Betriebsumgebung und Lagerungsbedingungen kann selbst Papier mit den richtigen Größen- und Gewichtsangaben unter Umständen nicht durch die Maschine durchgehen. Ausführliche Informationen, wenden Sie sich an Ihren Händler oder eine autorisierte Kundendienstvertretung.

Bedruckbarer Bereich

Es kann nicht ohne Ränder gedruckt werden. An den Seiten des Blattes werden stets Ränder gelassen.

Maximaler Druckbereich	314 mm × 458 mm
------------------------	-----------------

Technische Daten

■ Technische Daten des JOINT UNIT

Modell	JOINT UNIT G10
Typ	JOINT UNIT
Papiergröße	148 mm × 210 mm - 340 mm × 465 mm
Papiertyp und -gewicht	46 g/m ² bis 210 g/m ² (Normalpapier, Recyclingpapier)
Stromversorgung	Wechselstrom 100-240 V, 1,4 - 0,7 A, 50 Hz - 60 Hz
Stromverbrauch	Max. 140 W (JOINT UNIT) Max. 2910 W (dieses System) ¹
	Ready ² : 30 W oder weniger
	Standby: 0,5 W oder weniger
Betriebsgeräusch	68 dB(A) oder weniger A4-LEF (Simplex) bei maximaler Druckgeschwindigkeit
Betriebsumgebung	Temperatur: 15 °C bis 30 °C Luftfeuchtigkeit: 40% bis 70% RF (nicht kondensierend)
Abmessungen (B × T × H)	410 mm × 660 mm × 965 mm
Gewicht	Ca. 55 kg
Sicherheitsinformationen	Für den Innenbereich, Grad der Verschmutzung 2*, Höhenlage bis zu 2000 m * Grad der Umgebungsverschmutzung auf Grund von Schmutz und Staub in der Luft. Grad „2“ entspricht einer normalen Innenraumumgebung.

1 Zwei RISO-Drucker (2400 W) + JOINT UNIT (140 W) + Doppelte Zufuhr (180 W) + Doppelte Ablage (190 W)

2 Ohne Druckbetrieb

■ Technische Daten des Doppelte Zufuhr

Modell	Double Tray Feeder
Typ	Externes Doppeleinzugseinheit
Papiergröße	148 mm × 210 mm - 330,2 mm × 465 mm
Papiertyp und -gewicht	46 g/m ² bis 210 g/m ² (Normalpapier, Recyclingpapier)
Fassungsvermögen des Papierfachs	Höhe bis zu 440 mm ¹
Stromversorgung	100 V - 240 V AC, 1,8 A - 0,9 A, 50 Hz - 60 Hz
Stromverbrauch	Max. 180 W
	Ready ² : 40 W oder weniger
	Standby: 0,5 W oder weniger
Betriebsgeräusch	Max. 68 dB (A) A4-LEF (Simplex/Duplex) bei maximaler Druckgeschwindigkeit
Abmessungen (B × T × H)	940 mm × 630 mm × 1445 mm
Gewicht	Ca. 162 kg
Sicherheitsinformationen	Typ für den Einsatz in Innenräumen, Grad der Verschmutzung 2*, Höhenlage bis zu 2.000 m * Grad der Umgebungsverschmutzung auf Grund von Schmutz und Staub in der Luft. Grad „2“ entspricht einer normalen Innenraumumgebung.
Abmessungen (B × T × H) (mit dem Drucker, JOINT UNIT, und Doppelte Ablage)	Wenn die Abdeckung aller Teile geöffnet ist und sich das Bedienfeld in aufrechter Position befindet: 4955 mm × 1340 mm × 1445 mm

1 Bei Verwendung von glattem Papier und Recycle-Papier (85 g/m²)

2 Ohne Druckbetrieb

■ Technische Daten des Doppelte Ablage

Modell	Double Tray Stacker L/R
Typ	Doppelte Ablage mit Offset-Ausgabefunktion
Papiergröße	Ohne Versatz: 148 × 210 mm - 340 × 460 mm* Versatz: 148 × 210 mm - 340 × 432 mm* * Keine Umschläge
Papiertyp und -gewicht	46 g/m ² bis 210 g/m ² (Normalpapier, Recyclingpapier)
Fassungsvermögen des Papierfachs	Sortieren: Höhe bis zu 440 mm ¹ (2 Fächer) Offset: Höhe bis zu 405 mm ² (2 Fächer)
Stromversorgung	100 V - 240 V AC, 1,9 A - 1,0 A, 50 Hz - 60 Hz
Stromverbrauch	Max. 190 W
	Ready ³ : 80 W oder weniger
	Stand-by: 0,5 W oder weniger
Betriebsgeräusch	68 dB (A) oder weniger A4-LEF (Simplex/Duplex) bei maximaler Druckgeschwindigkeit
Abmessungen (B × T × H)	1885 mm × 740 mm × 1055 mm
Gewicht	Ca. 281 kg
Sicherheitsinformationen	Typ für den Einsatz in Innenräumen, Grad der Verschmutzung 2*, Höhenlage bis zu 2.000 m * Grad der Umgebungsverschmutzung auf Grund von Schmutz und Staub in der Luft. Grad „2“ entspricht einer normalen Innenraumumgebung.
Abmessungen (B × T × H) (mit dem Drucker, JOINT UNIT, und Doppelte Zufuhr)	Wenn die Abdeckung aller Teile geöffnet ist und sich das Bedienfeld in aufrechter Position befindet: 4955 mm × 1340 mm × 1445 mm

- 1 Höhe bis zu 110 mm für A5, Papier unregelmäßiger Größe
- 2 Nicht für A5, Papier unregelmäßiger Größe.
- 3 Ohne Druckbetrieb

Verbrauchsmaterial

Sie sollten das unten aufgeführte Verbrauchsmaterial verwenden.

Die Spezifikationen und Typen des Verbrauchsmaterials können ohne vorherige Ankündigung geändert werden.

Informationen zu den Preisen wenden Sie sich an Ihren Händler oder eine autorisierte Kundendienstvertretung.

Tintenkartuschen

Typ	Farbe	Menge	Einheit
VALEZUS INK	Zyan Magenta Gelb Grau Schwarz	NET. 1.000 ml	1 Stück

Verbrauchen Sie die Tintenpatrone innerhalb von etwa 24 Monaten ab dem Herstellungsdatum (bei Aufbewahrung bei Raumtemperatur).

Für ein besseres Druckergebnis empfehlen wir, die Tintenkartusche möglichst bald nach dem Kauf zu verwenden. Das Herstellungsdatum finden Sie an der Tintenkartusche.

Hinweis für Mitgliedstaaten der Europäischen Union

RISO, die Umwelt und die Verordnung über Elektro- und Elektronik-Altgeräte (WEEE-Verordnung)

■ Was ist die WEEE-Verordnung?

Die WEEE-Verordnung soll Abfall reduzieren und sicherstellen, dass elektrische und elektronische Geräte am Ende ihrer Nutzungsdauer wiederverwertet werden.



■ Was bedeutet das Symbol einer durchgestrichenen Abfalltonne auf Rädern?

Das Symbol einer durchgestrichenen Abfalltonne auf Rädern bedeutet, dass dieses Produkt vom normalen Müll getrennt gesammelt werden muss.

Bitte wenden Sie sich an Ihren RISO-Kundendienst für weitere Informationen über die Entsorgung.

■ Was bedeutet das Balkensymbol?

Der Balken unter der durchgestrichenen Abfalltonne auf Rädern bedeutet, dass dieses Produkt nach dem 13. August 2005 auf den Markt gebracht worden ist.

■ An wen kann ich mich wenden, wenn ich mehr über die WEEE-Verordnung wissen möchte?


Für weitere Informationen sollten Sie sich an Ihren örtlichen RISO-Kundendienst wenden.

RISO KAGAKU CORPORATION LONDON OFFICE, Avda. de les Garrigues, 38-44 planta 2a local B1 08820 Prat de Llobregat - Barcelona, Spain

Hinweise zu Markenzeichen

Microsoft, Windows und Microsoft Word sind entweder eingetragene Marken oder Marken der Microsoft Corporation in den Vereinigten Staaten und/oder anderen Ländern.

PostScript ist ein Markenzeichen oder eingetragene Markenzeichen von Adobe Systems Incorporated in den USA und/oder anderen Ländern.

 RISO, VALEZUS und FORCEJET sind Markenzeichen oder eingetragene Markenzeichen von RISO KAGAKU CORPORATION in den USA und anderen Ländern.

Alle anderen Produkt- und Unternehmensnamen in diesem Dokument sind Markenzeichen oder eingetragene Markenzeichen der jeweiligen Unternehmen.



Please contact the following for supplies and service: